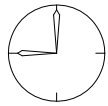
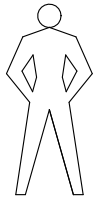
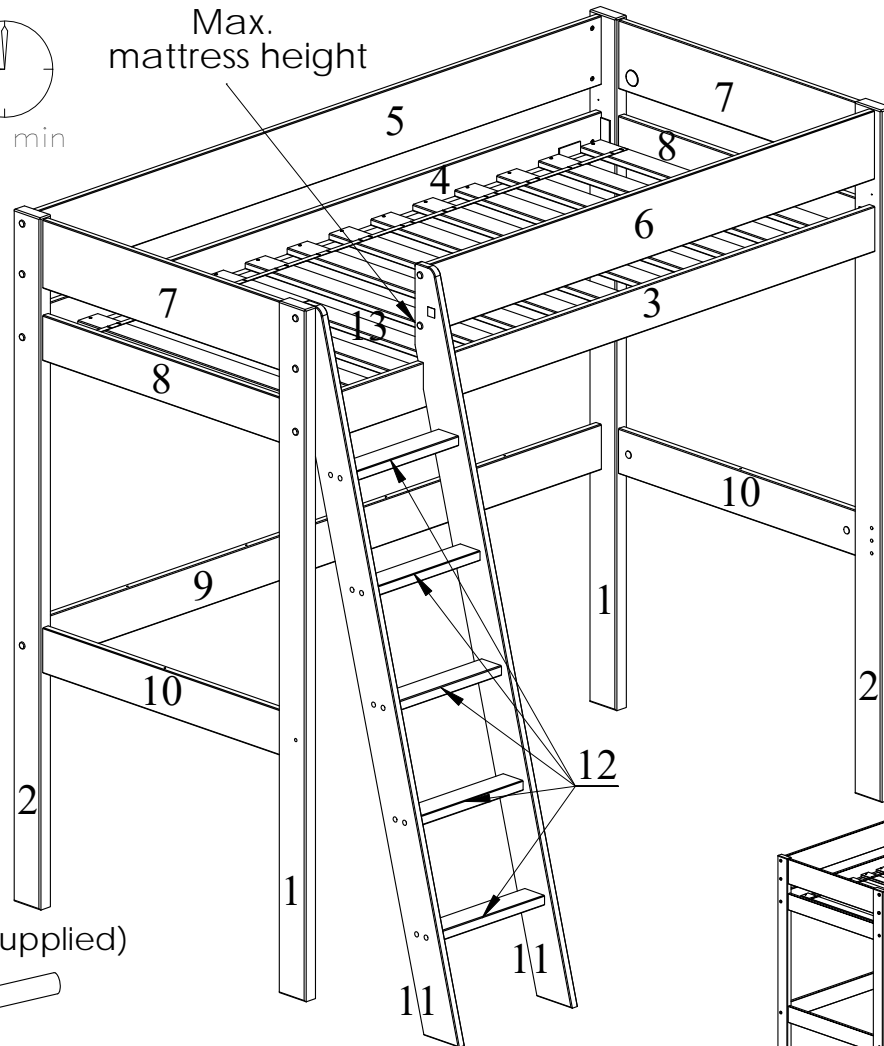


IMPORTANT - READ CAREFULLY - KEEP FOR FUTURE REFERENCE

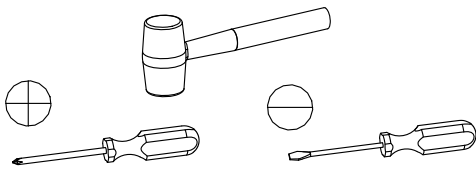
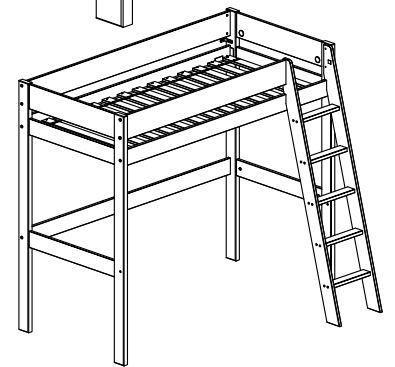
- a) **WARNING** Raised beds and the upper bed in a bunk bed assembly are not good for children under 6 years old because of the risk of injury from falling from such beds,
- b) **WARNING** If the raised and bunk beds are not used correctly, they can present a serious risk of injury from strangulation. Never attach or suspend things from the upper bunk bed that are not going to be used with that bed.
Such things include - but are not limited to - cords, string, sashes, hooks, belts and bags.
- c) **WARNING** Children can find themselves trapped between the bed and wall, or inclined roof wall, ceiling, adjacent pieces of furniture (such as cupboards) or other items.
To avoid any risk of serious injury, the distance between the upper safety barrier and surrounding items should not exceed 75 mm - or the distance should be greater than 230 mm.
- d) **WARNING** Do not use the upper bunk bed or a raised bed if a part of the structure is missing or broken. Spare parts should be requested from the manufacturer or shop.
- e) It is essential that the manufacturer's instructions on assembly and use are followed.
- f) The recommended size of the mattress to be used with the bed is 1900mm x 900mm,
Maximum mattress thickness: 158mm,
- g) Mattresses must be aired to maintain a low humidity and to stop moisture building up in the bed and its surroundings.
- k) The fastenings put in place on assembly should all be properly tightened and regularly checked. Retighten the fastenings as necessary.
- l) This complies with the requirements of the European Safety Standard NF EN 747+A1: 2015.
- m) The presence of a night light could give more safety for a child sleeping in an upper bed.



60 min

Max.
mattress height

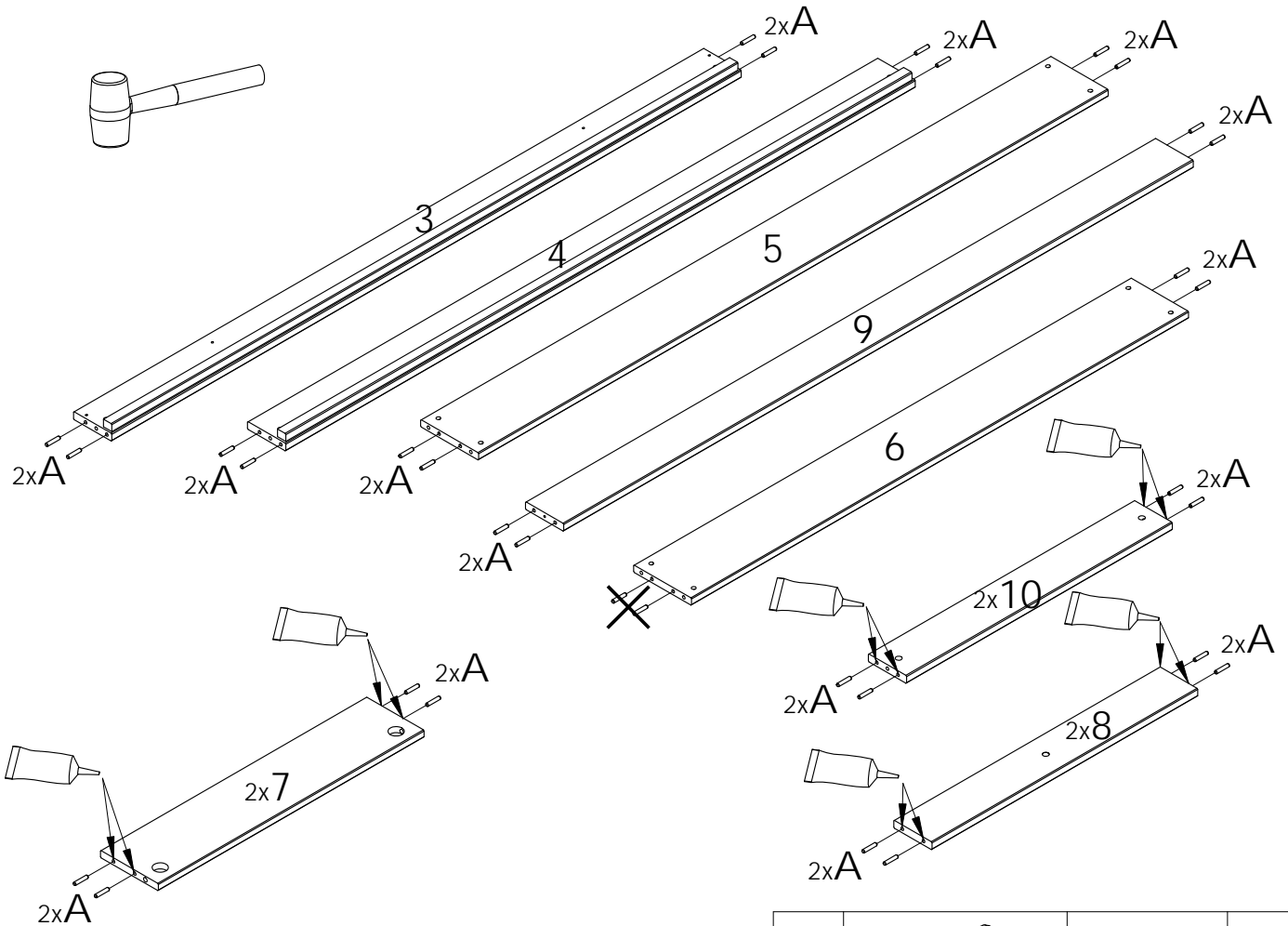
Tools needed (not supplied)

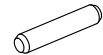
Ladder can be fitted
right or left side.

A		8x40	x42
B		7x34	x4
C		15x12	x4
D		D35	x4
E		7x60	x4
F		7x50	x20
G		M6x75	x10
M		M6x55	x4
Q		M6x15x15	x2
H		D6x10x13	x12
J		6,3x70	x2
K		55/12,5x5	x2

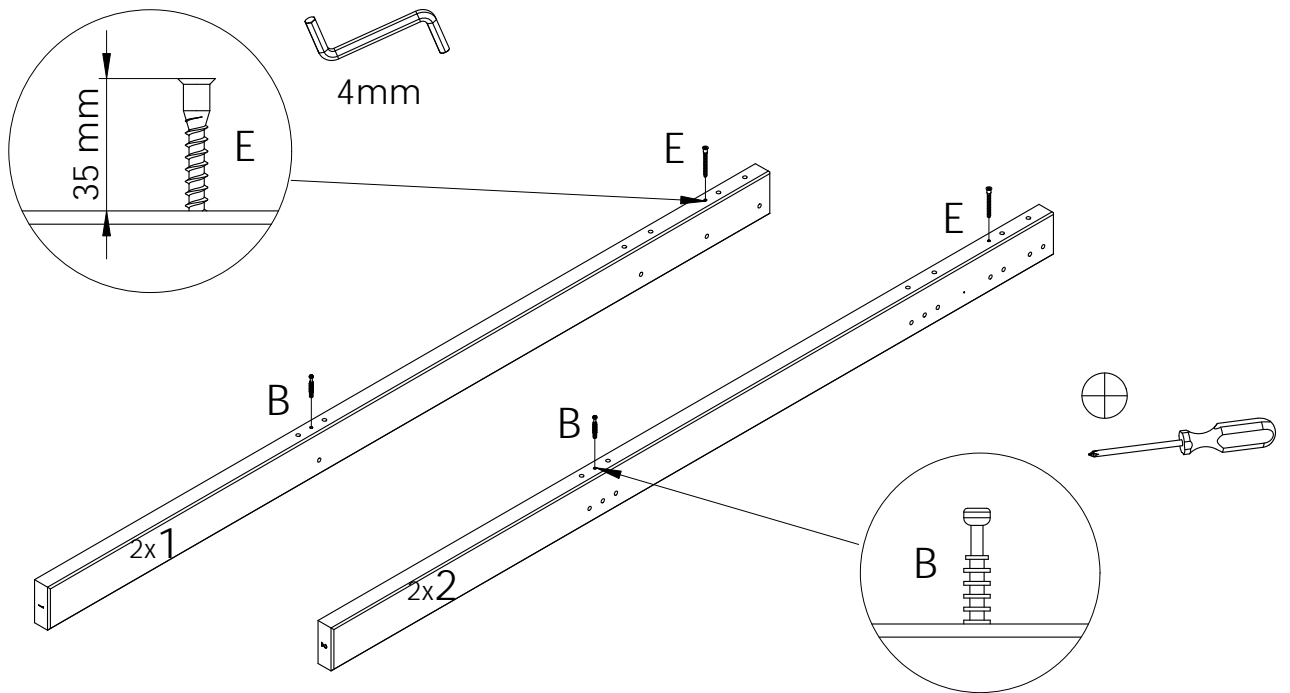
L		3,5x40	x28
N		D35x12	x4
P		D20	x4
R		D4x13	x20
S		D8x13	x8
T		D15x18	x18
Y		71x30x3	x2
X		20x42x70	x2
Z		4x30	x4
W		4mm	x2
		GLUE	x1

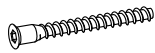

①



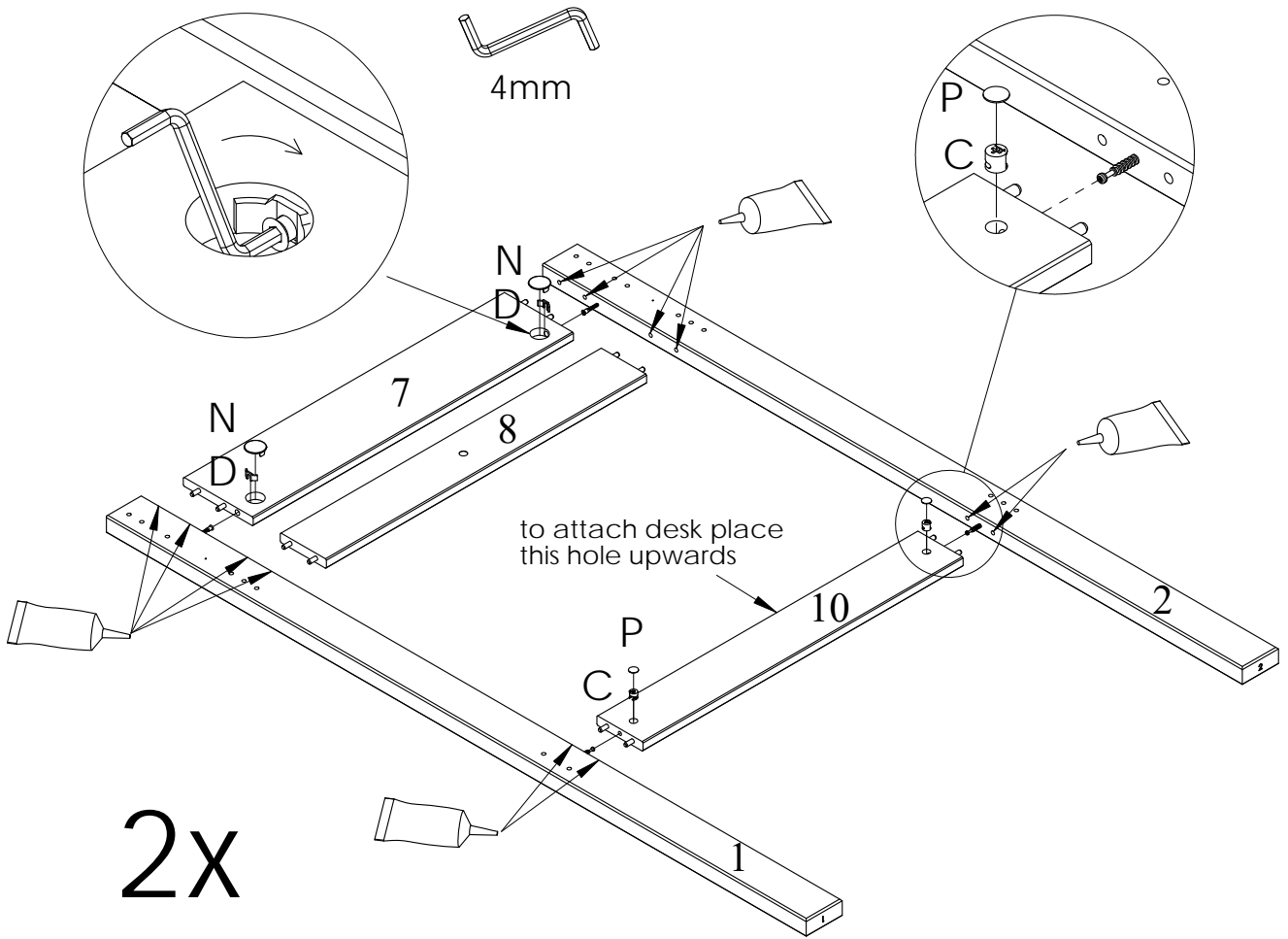
A		8x40	x42
---	---	------	-----



②





E		7x60	x4
B		7x34	x4

3

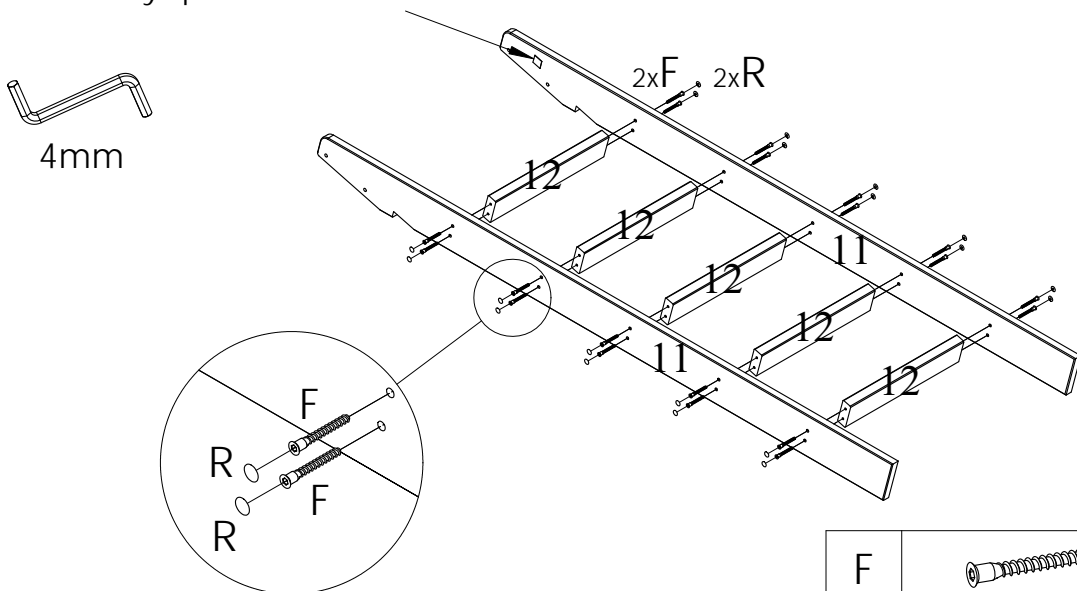




D		D35	x4
C		15x12	x4

N		D35x12	x4
P		D20	x4

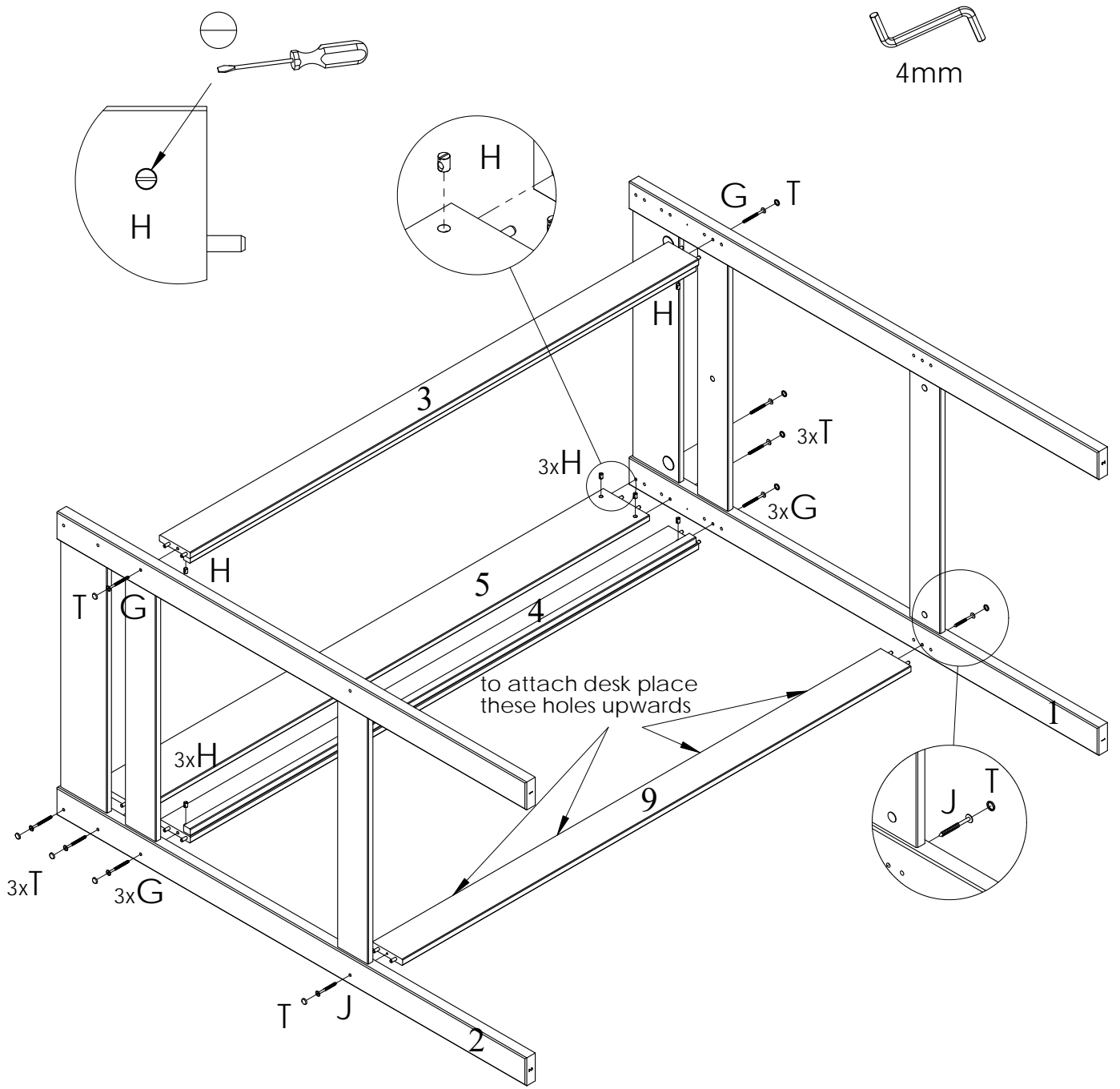
4



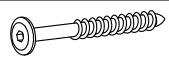
Always placed inside the ladder




F		7x50	x20
R		D4x13	x20

5



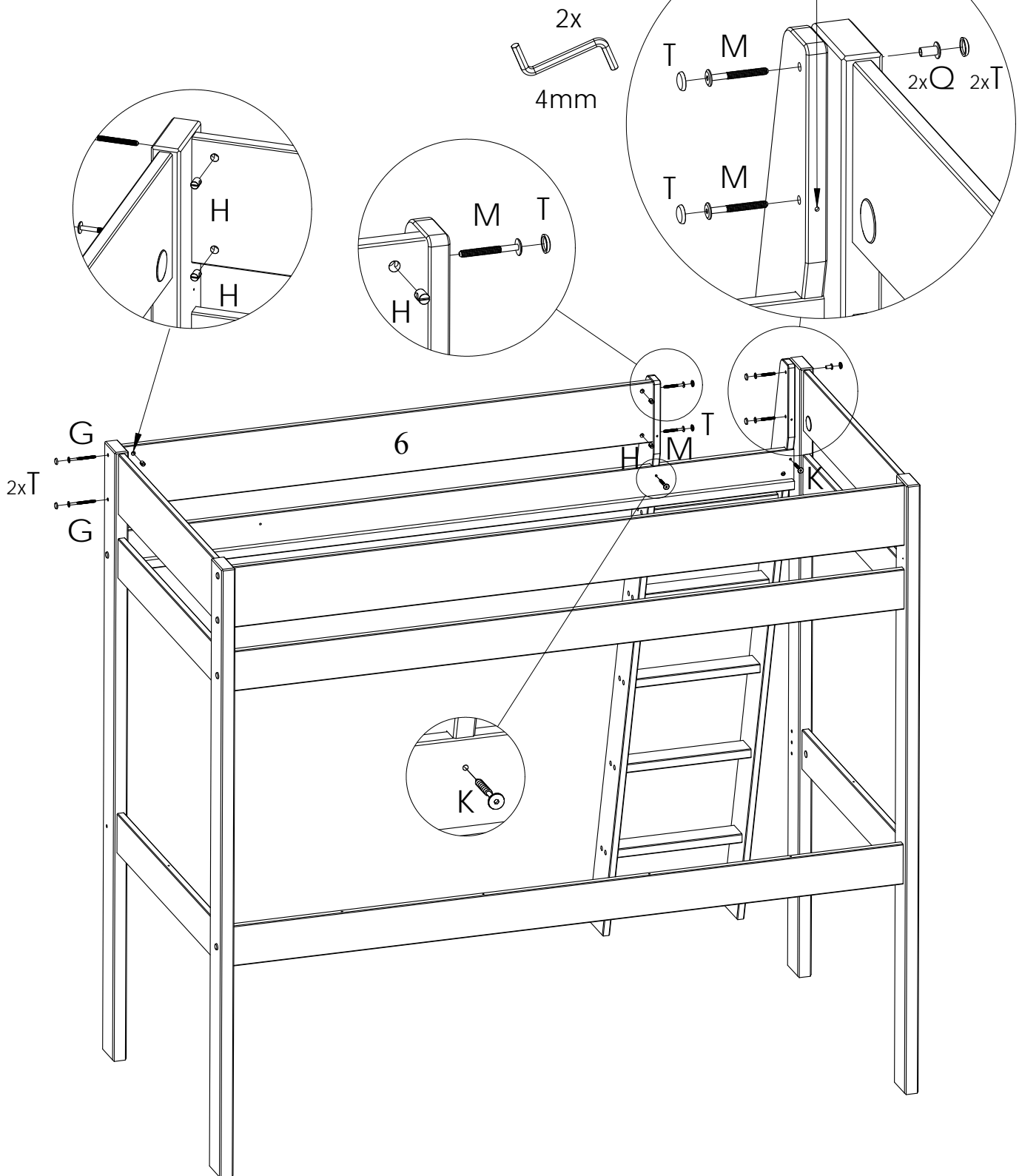
G		M6x75	x8
H		M6x10x13	x8
J		6,3x70	x2




T		D15x18	x10
---	---	--------	-----

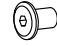
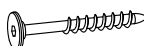

6

Decide which side to attach ladder.
ASSEMBLING LADDER LEFT SIDE

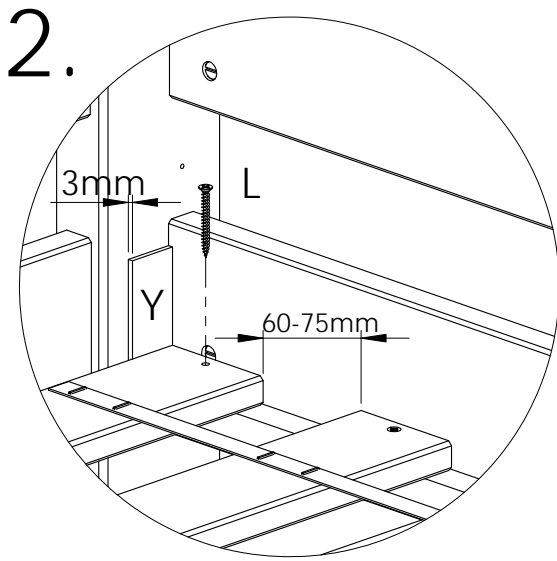
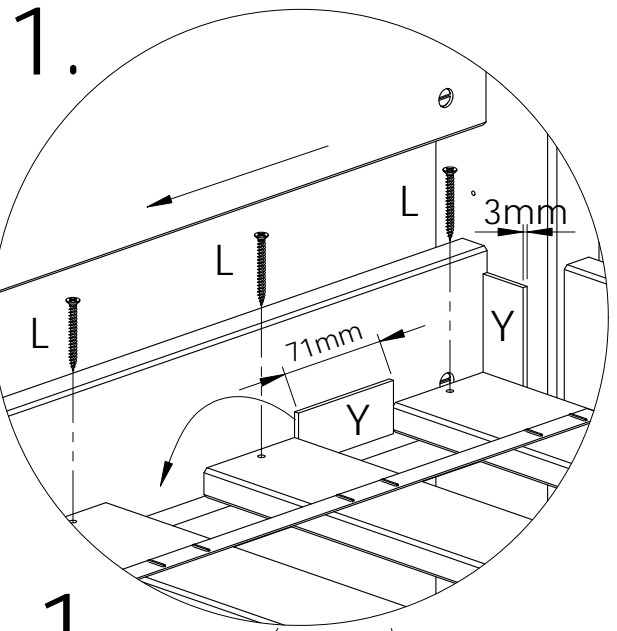
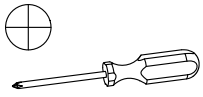
Max.
mattress height



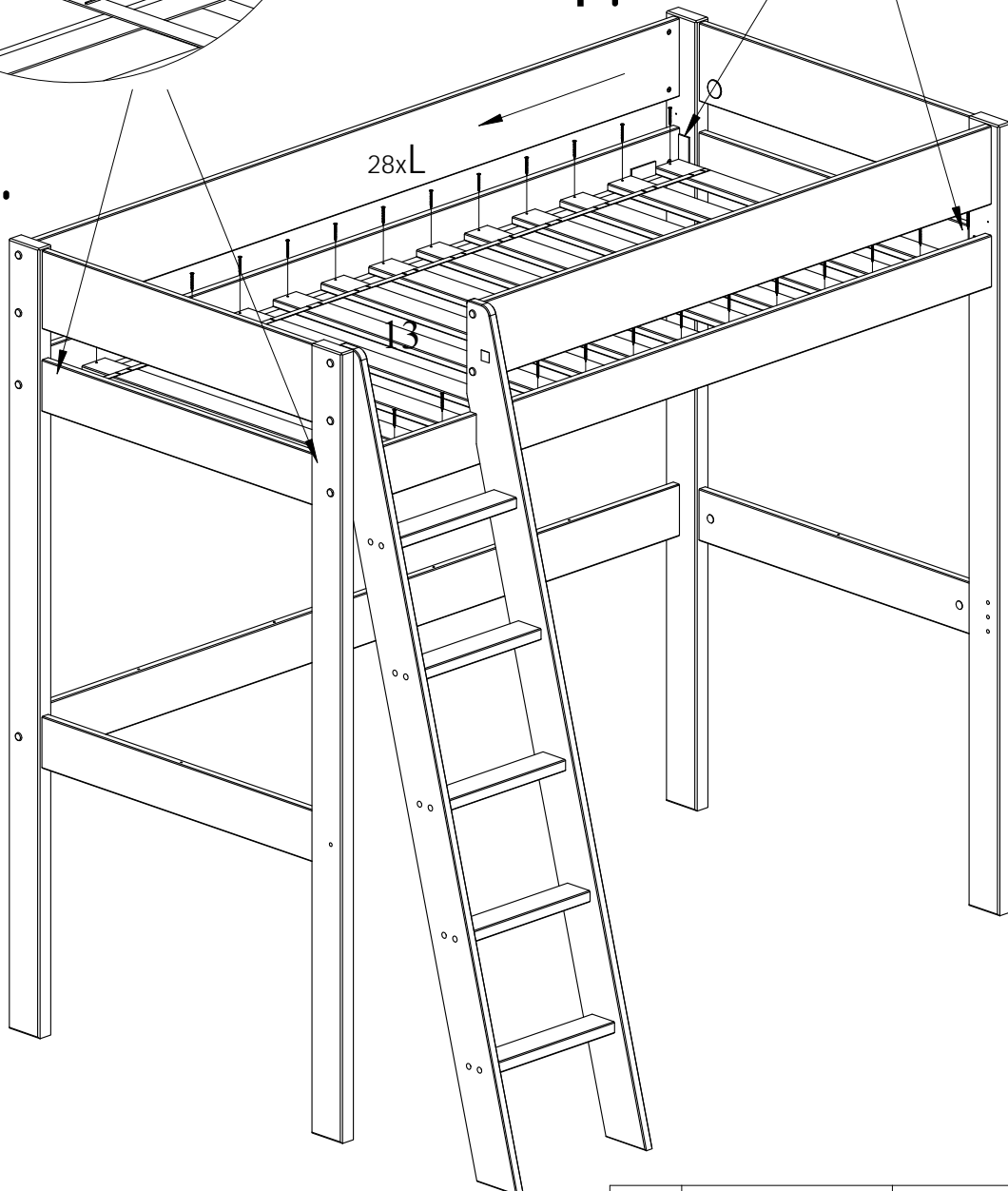
G		M6x75	x2
M		M6x55	x4
H		M6x10x13	x4


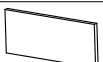
Q		M6x15x15	x2
K		55/12,5x5	x2
T		D15x18	x8

7

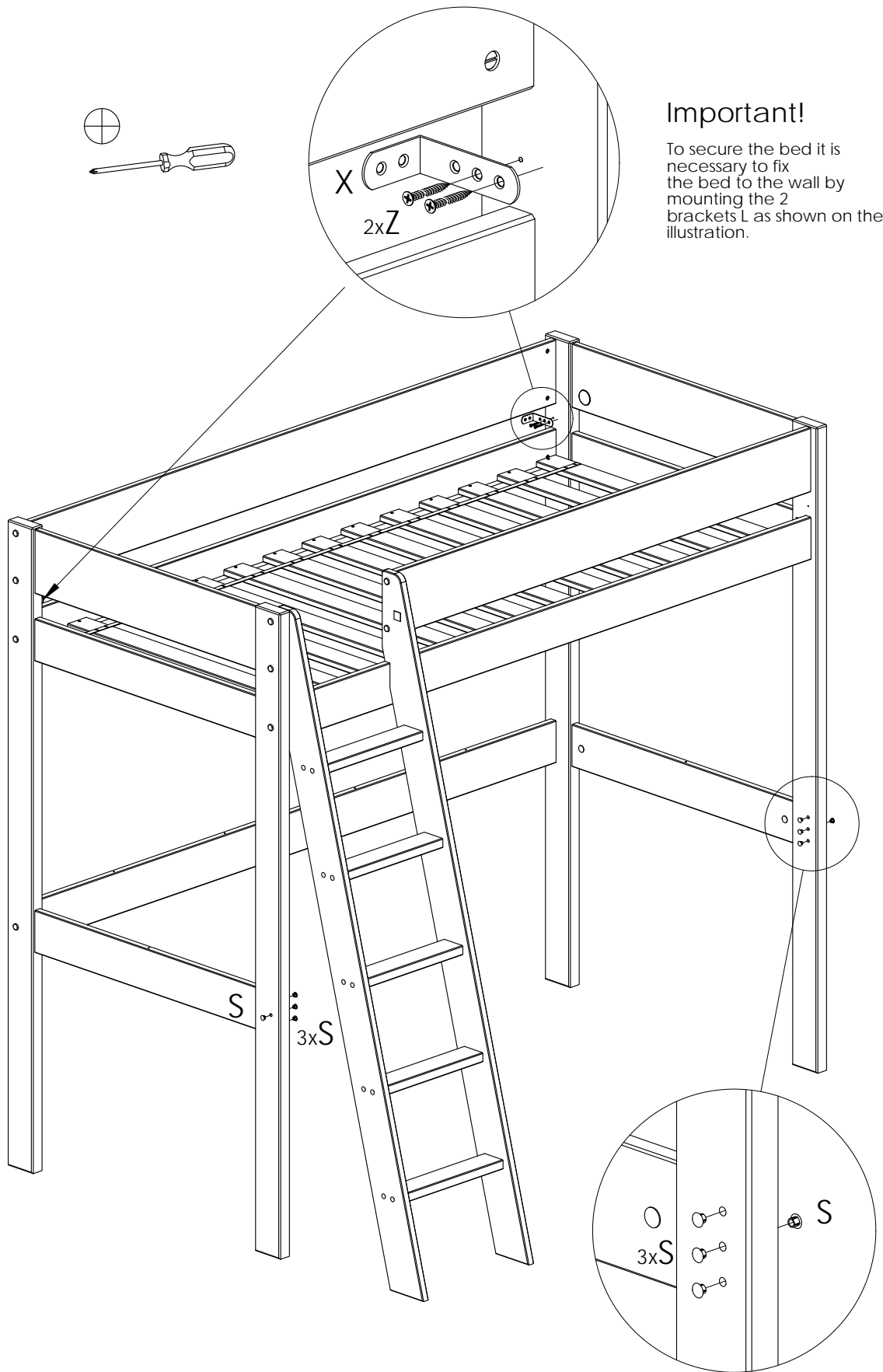



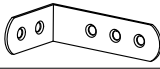

2.

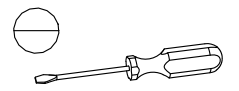
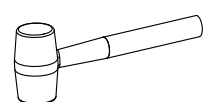
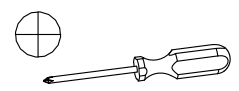
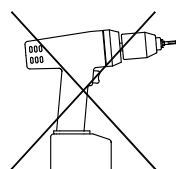
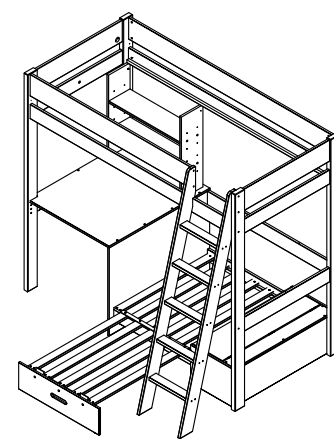
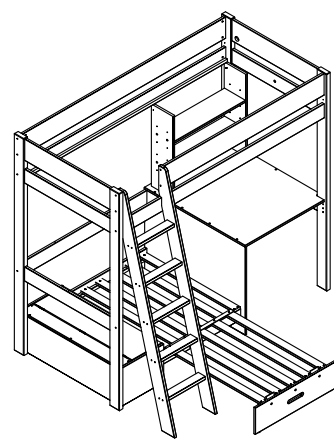
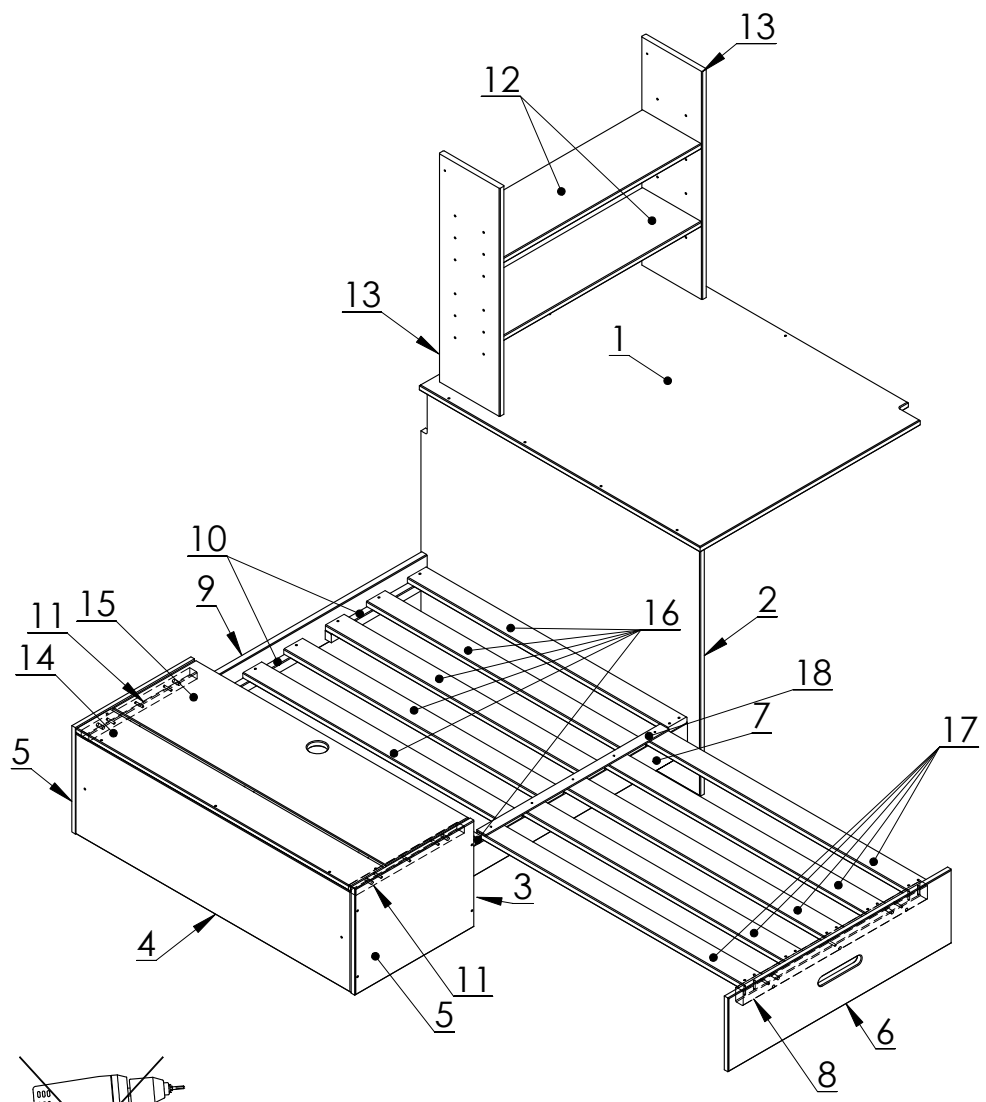
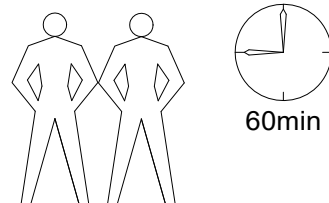


L		3,5x40	x28
Y		71x30x3	x2

8

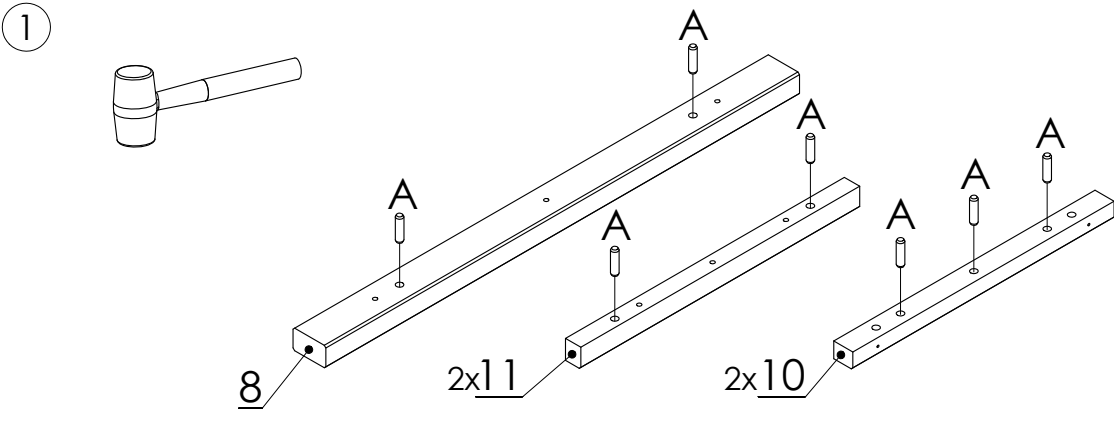


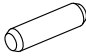
S		D8x13	x8
X		20x42x70	x2
Z		4x30	x4

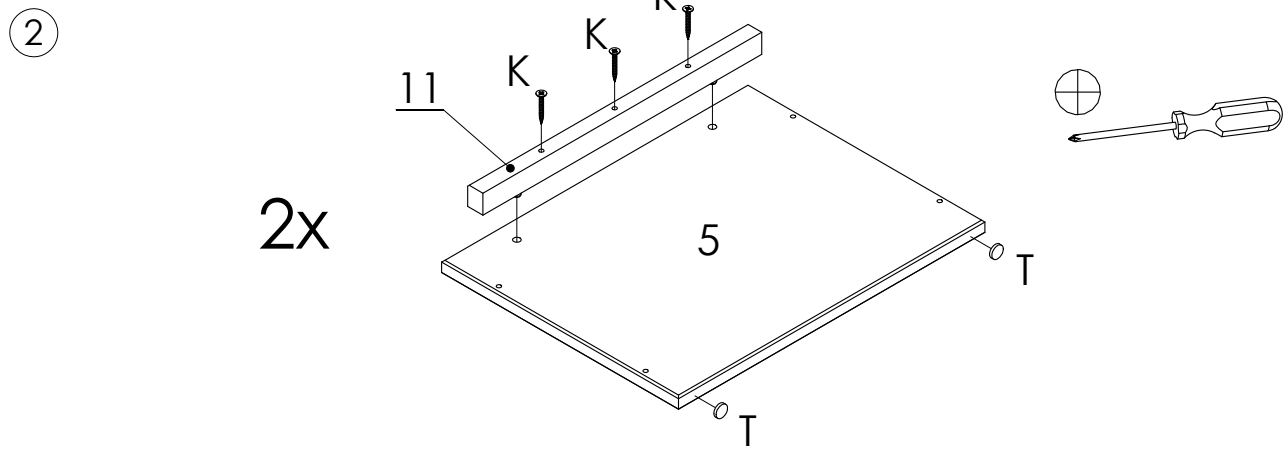


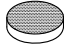
A		8x30	x12
B		7x35	x4
C		7x40	x3
D		7x50	x8
E		5x38	x10
F		5x50	x27
G		45x33	x3
H		3x20	x12
J		3,5x16	x5

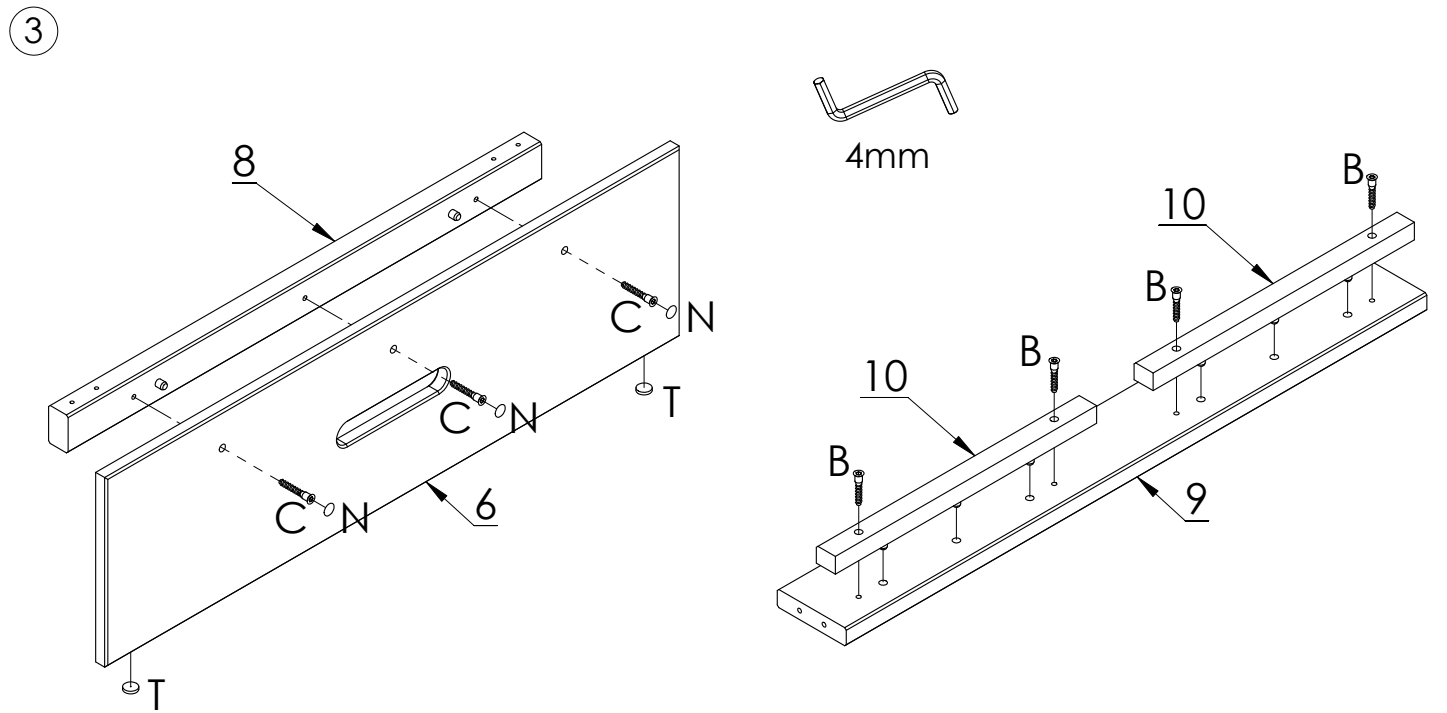
K		4x35	x6
L		3,5x35	x20
M		4,2x35	x5
N		D4x13	x7
P		D2,3x12	x25
R		35x40	x1
S		4x25	x2
T		17x3	x8
U		73x30x3	x2
		4mm	x1

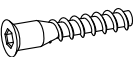
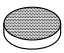




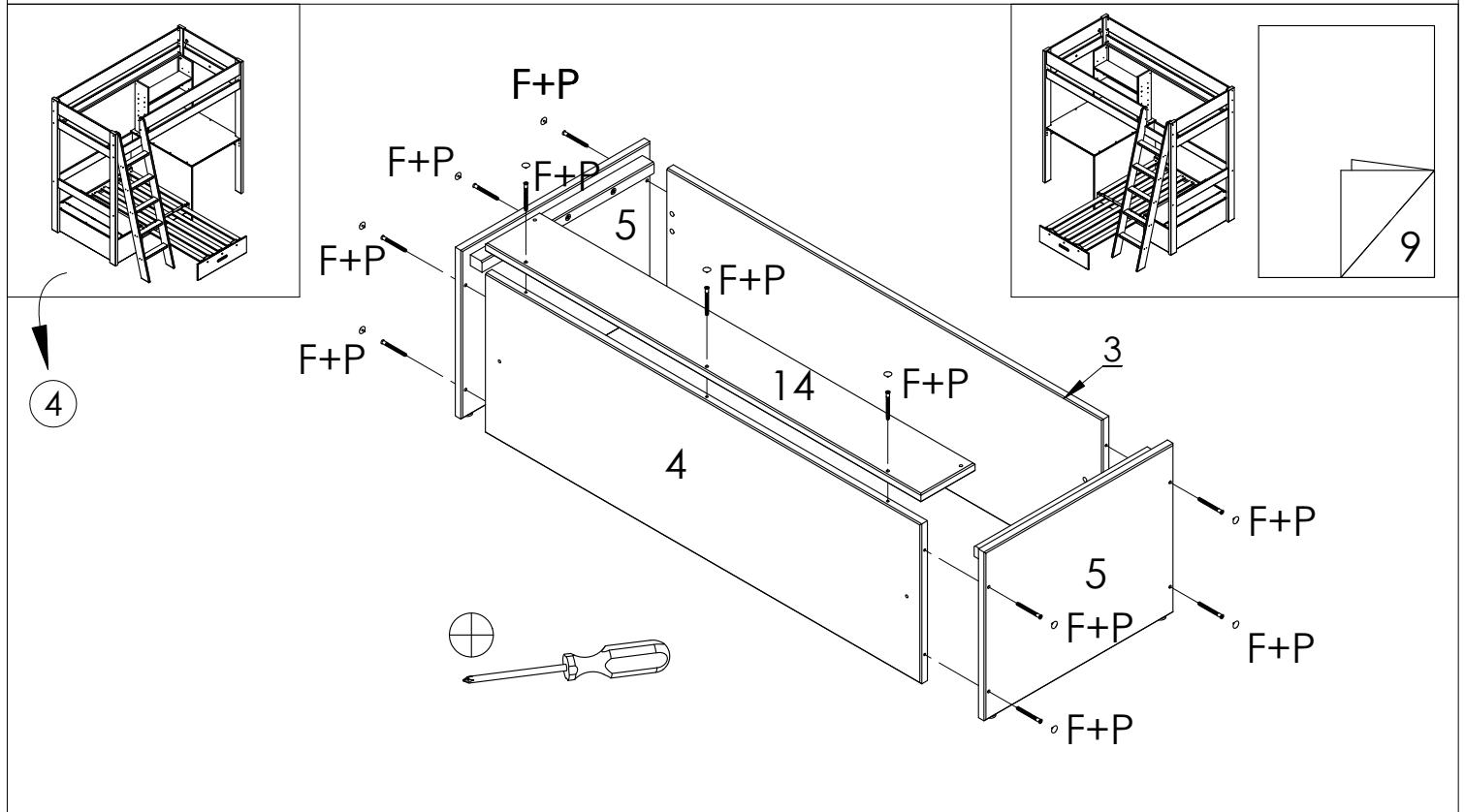
A		8x30	x12
---	---	------	-----

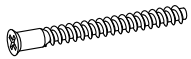



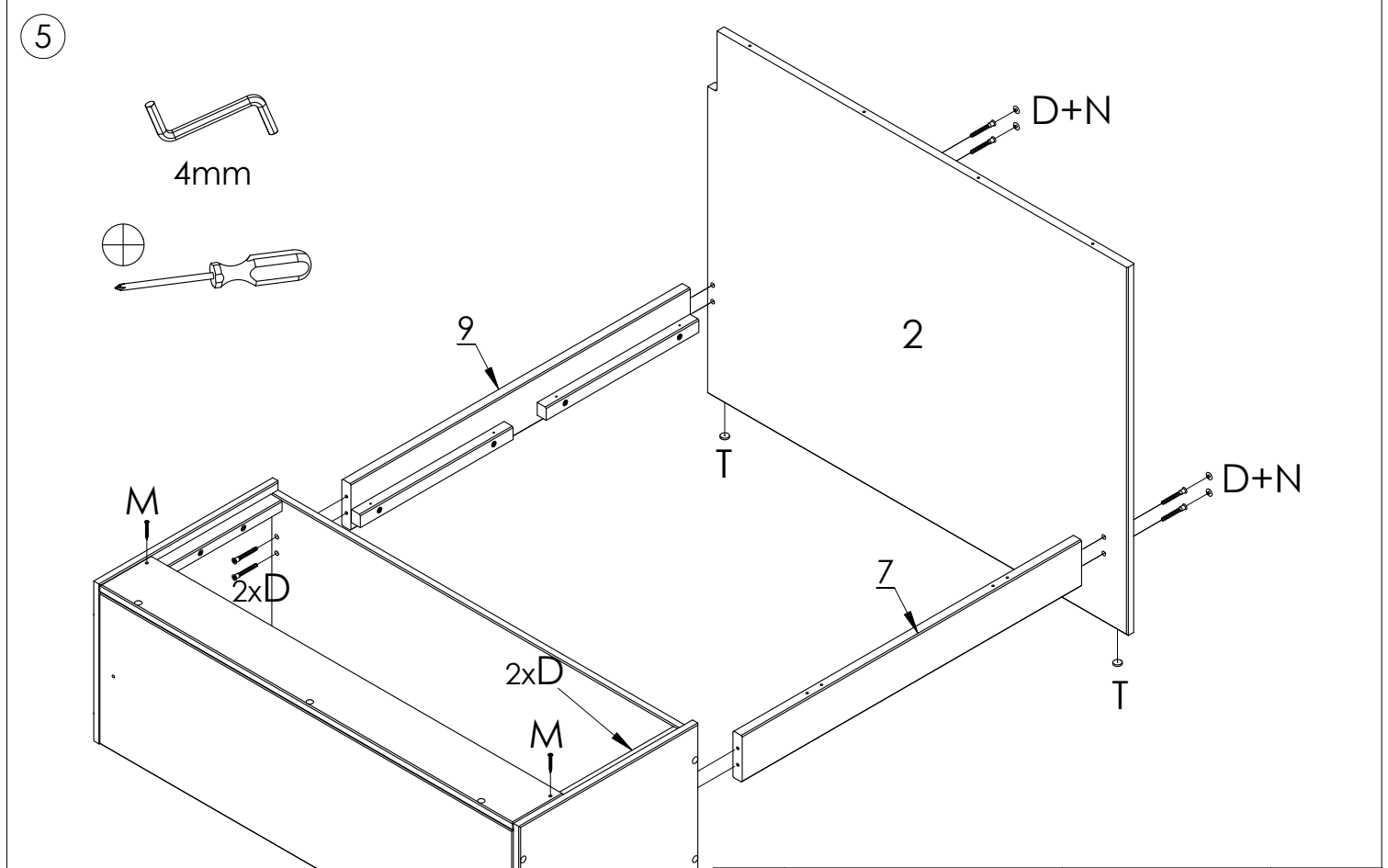
K		4x35	x6	T		17x3	x4
---	---	------	----	---	---	------	----

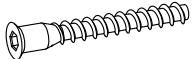



B		7x35	x4	T		17x3	x4
C		7x40	x3	N		D4x13	x3



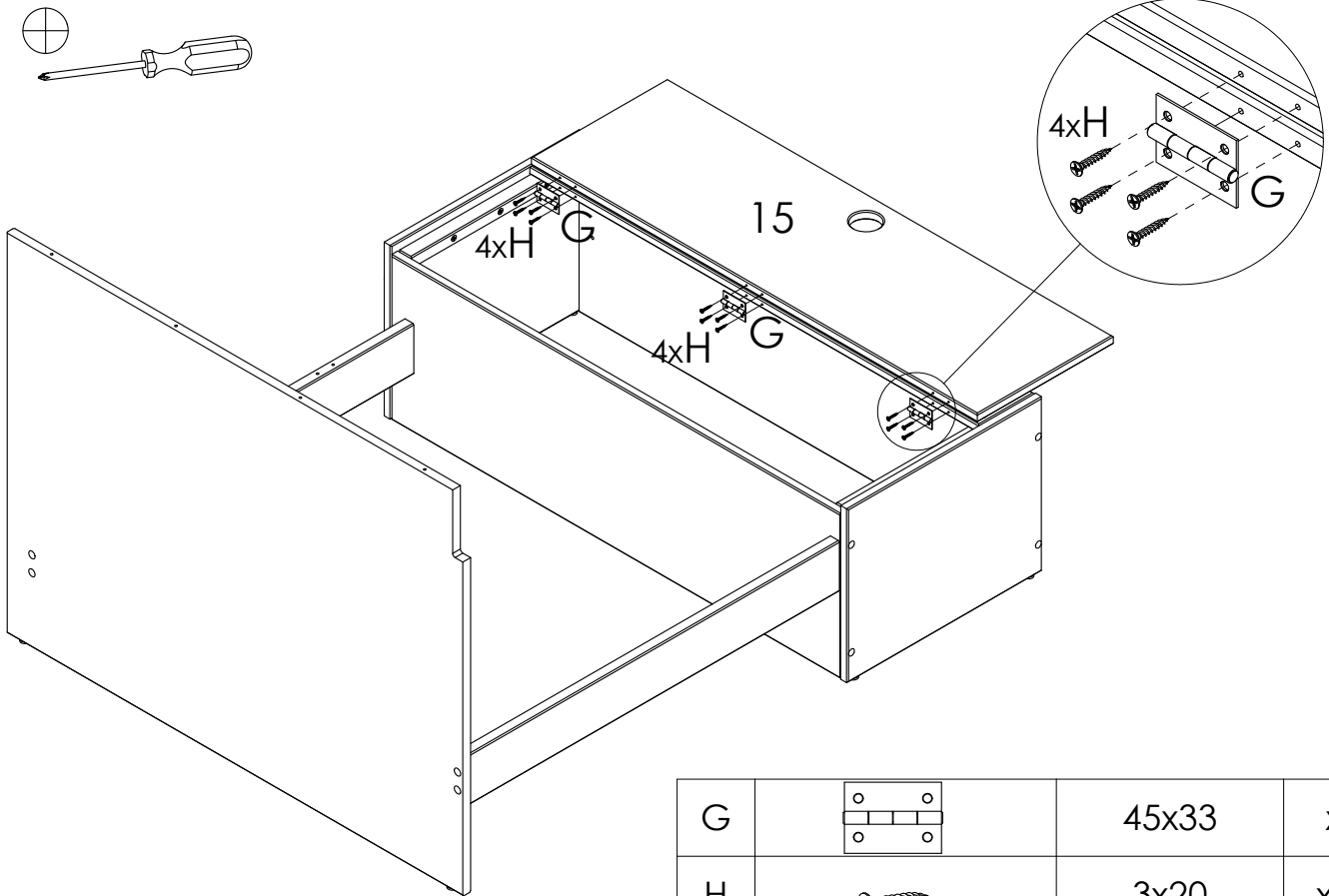
F		5x50	x11	P		D2,3x12	x11
---	--	------	-----	---	---	---------	-----



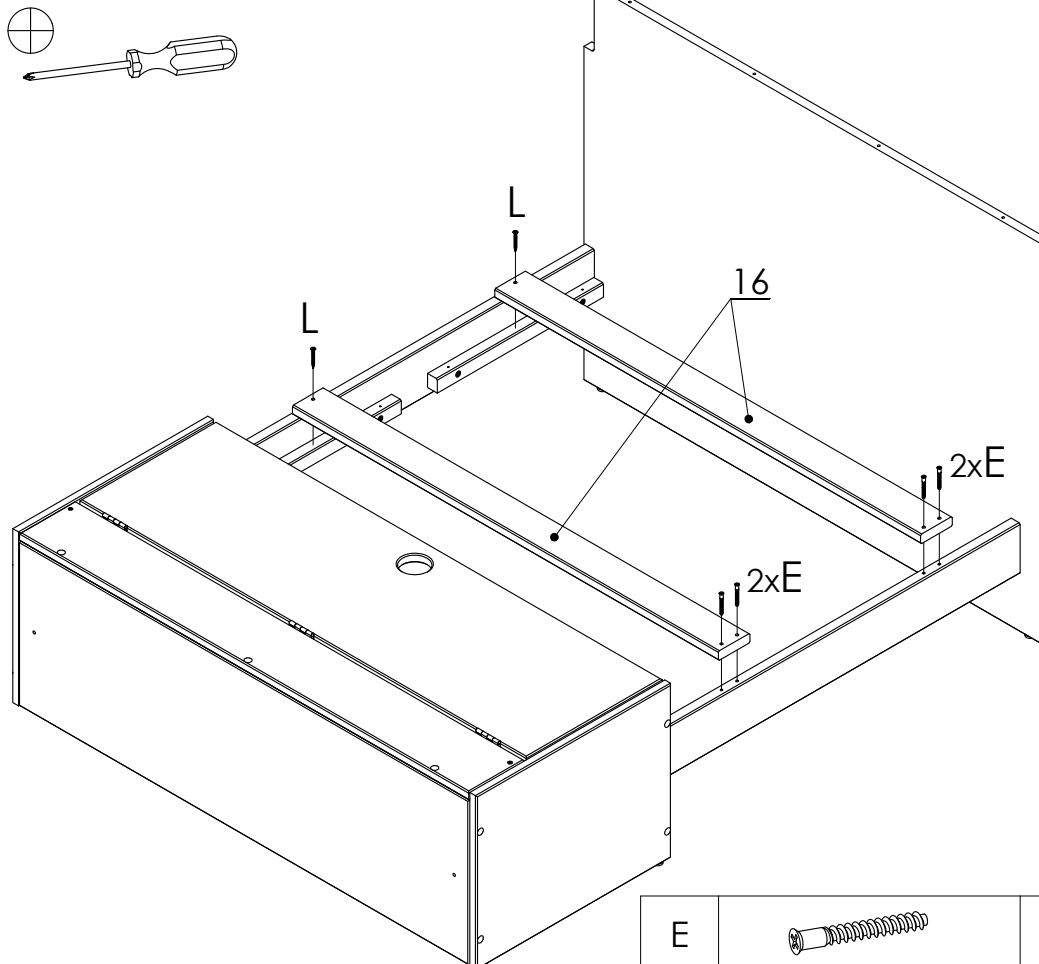
D		7x50	x8
T		17x3	x2

N		D4x13	x4	M		4,2x35	x2
---	---	-------	----	---	--	--------	----

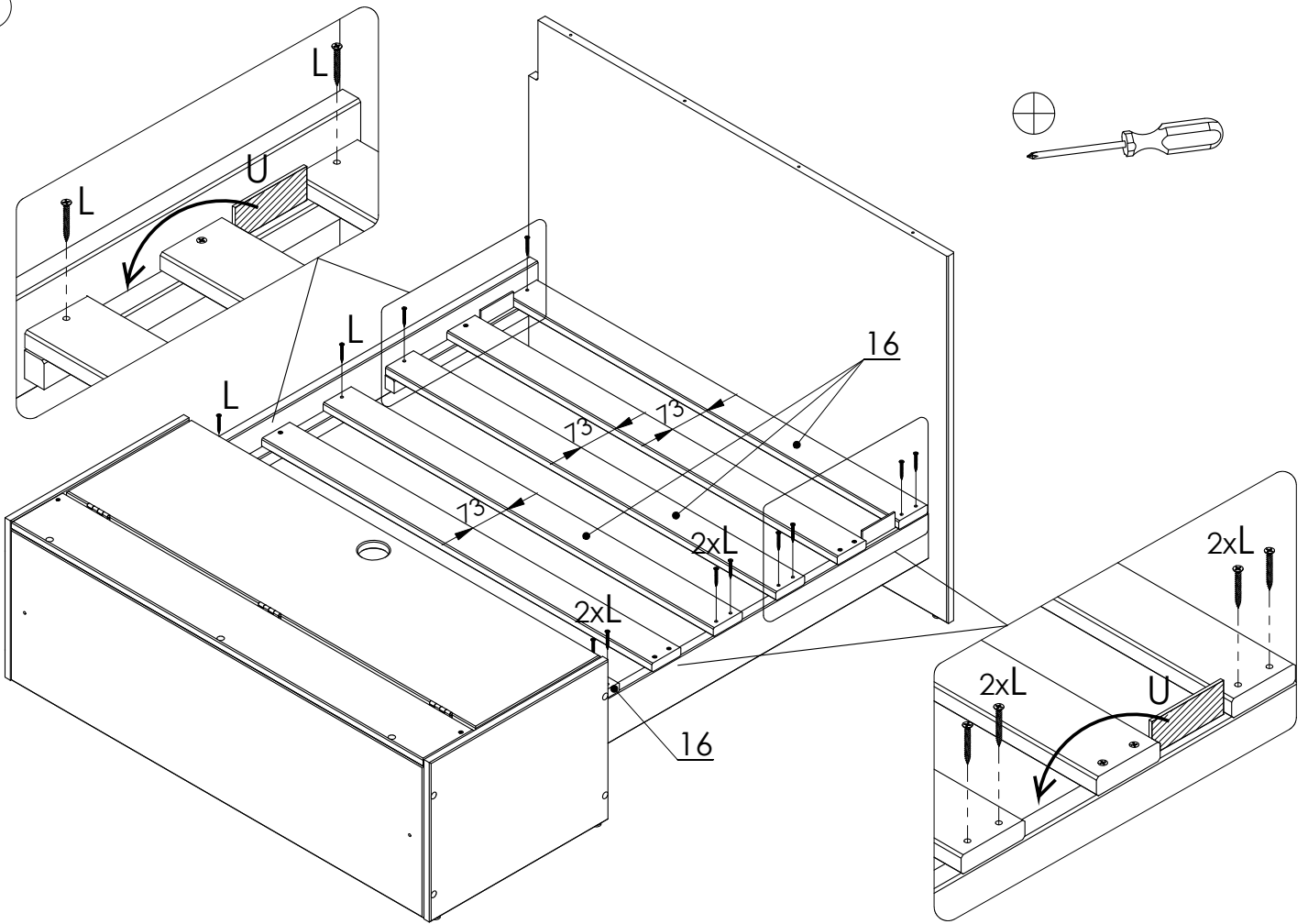
6



7



8



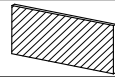
L



3,5x35

x12

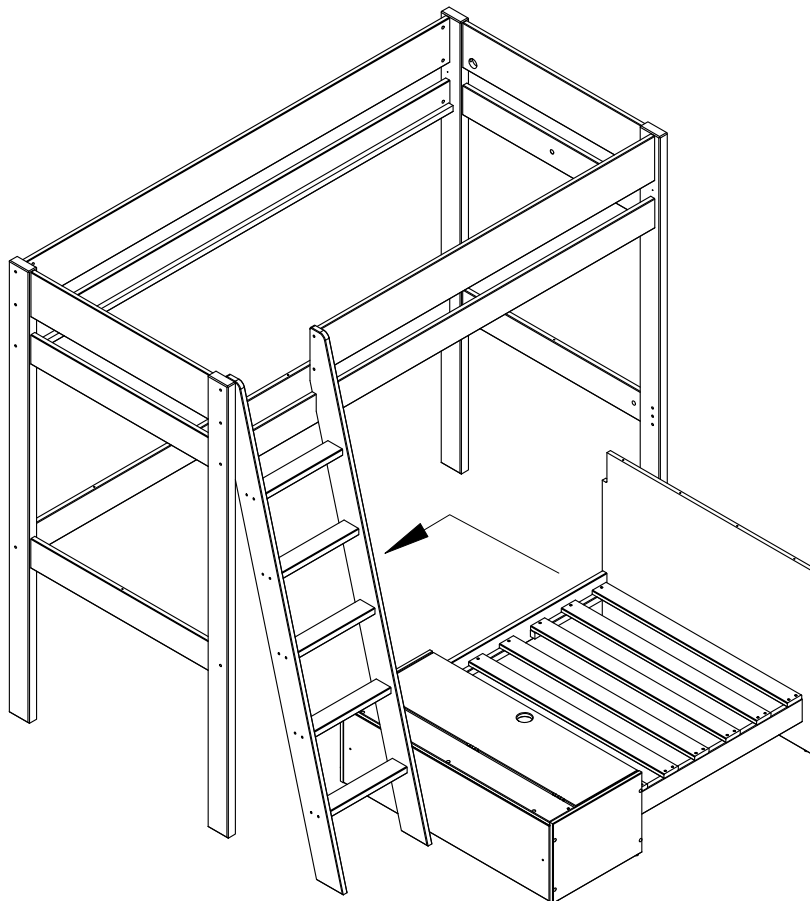
U



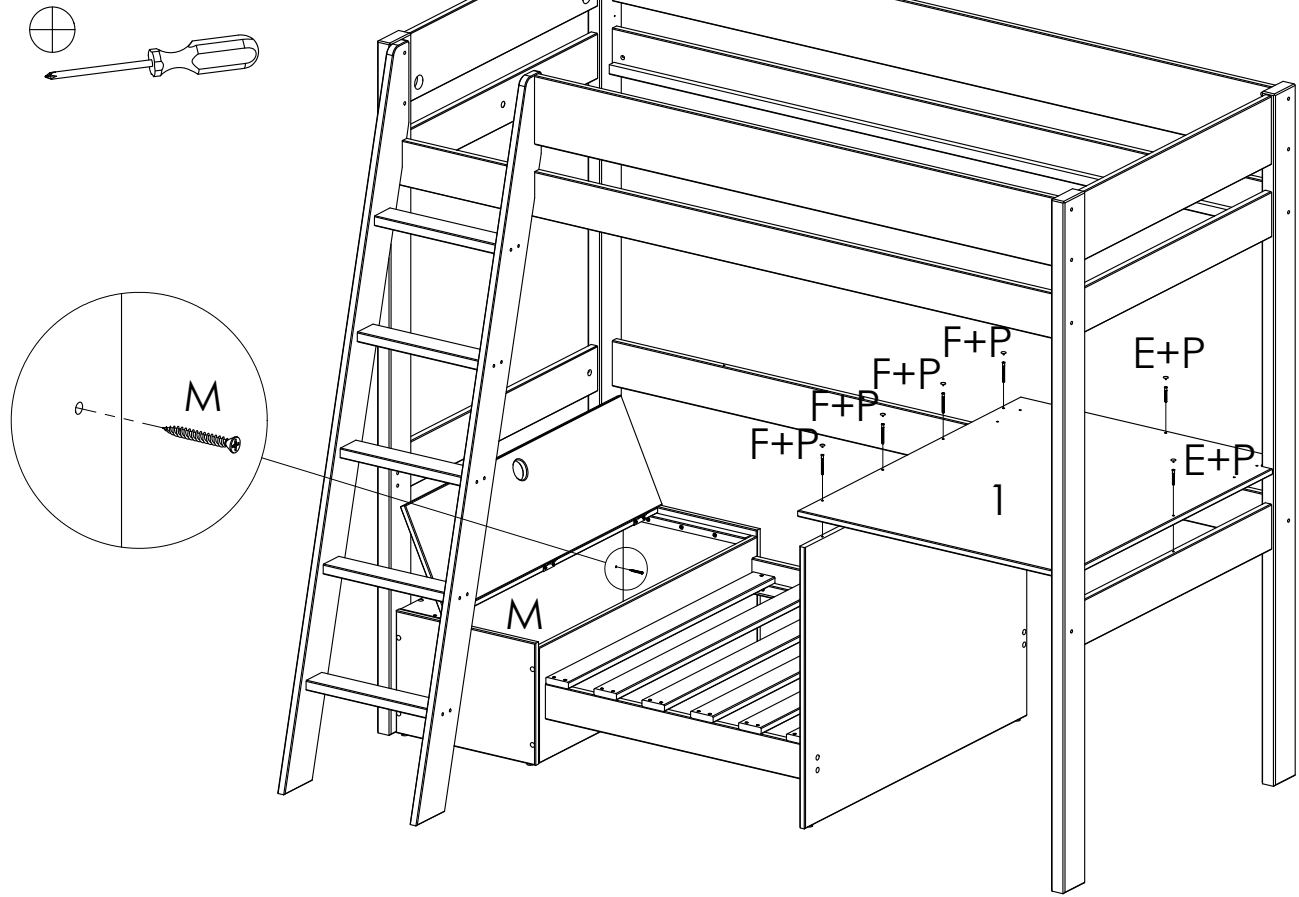
73x30x3

x2

9

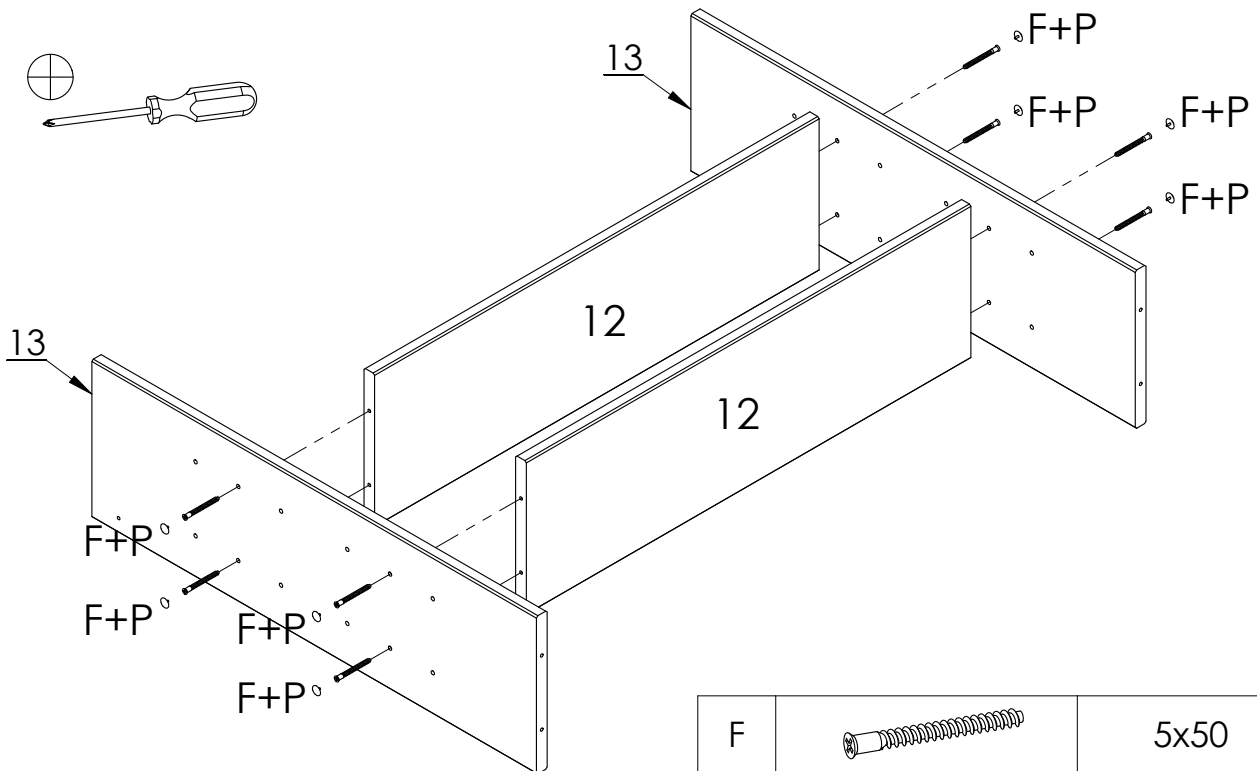


10



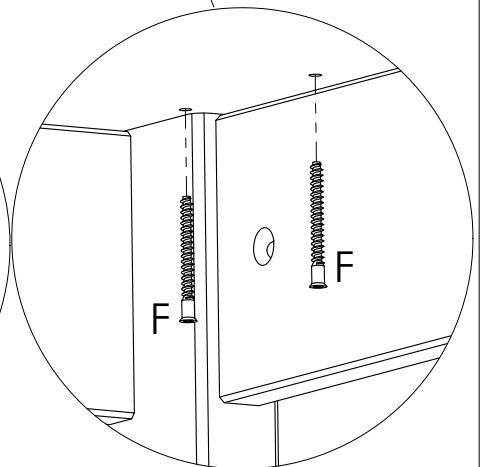
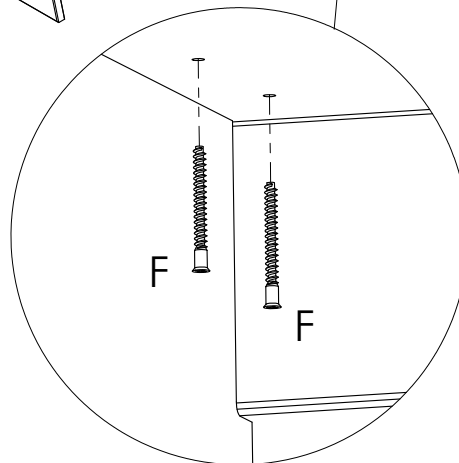
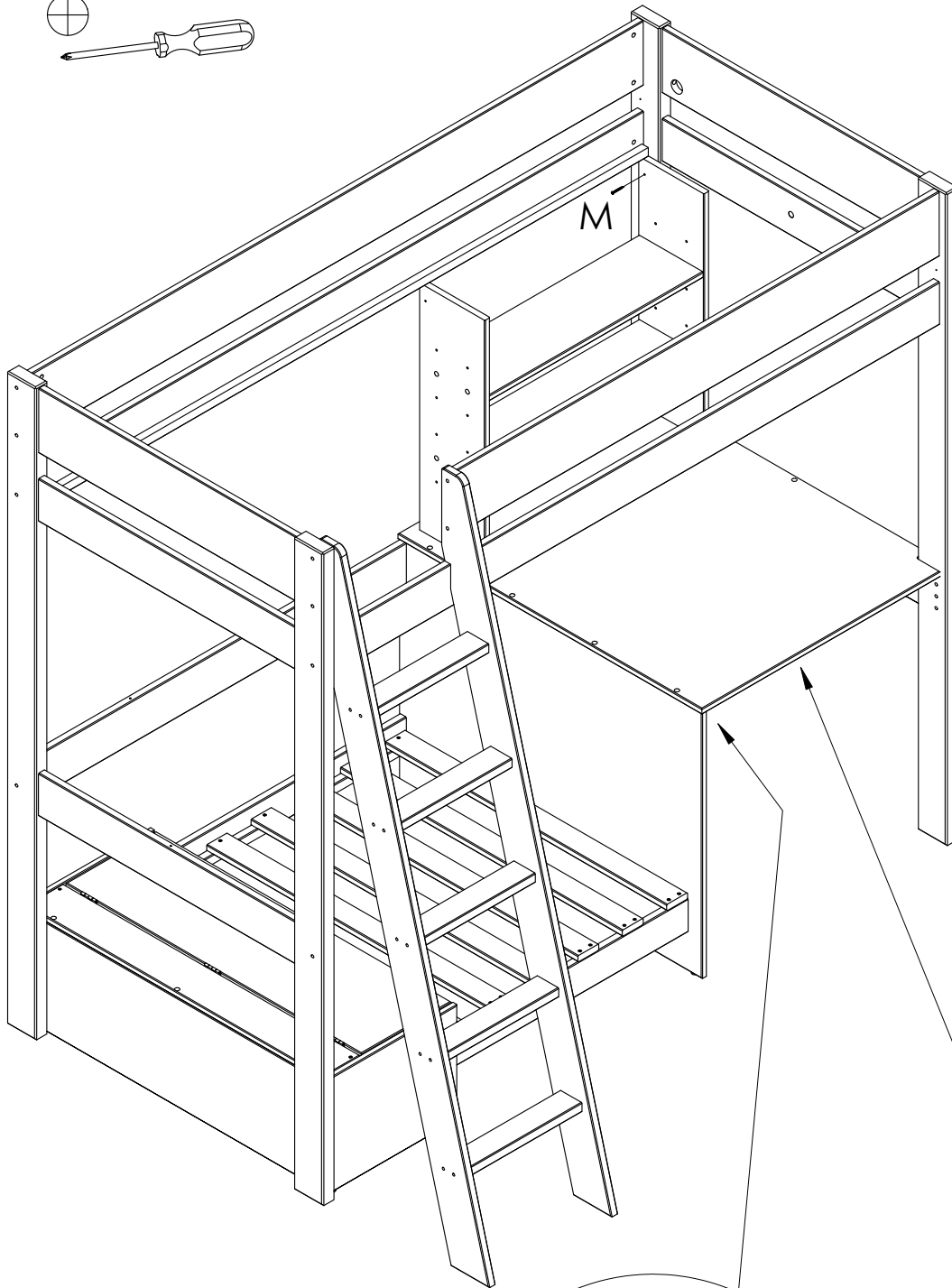
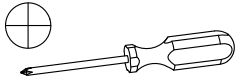
E		5x38	x2	P		D2,3x12	x6
F		5x50	x4	M		4,2x35	x2

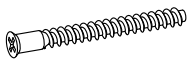

11



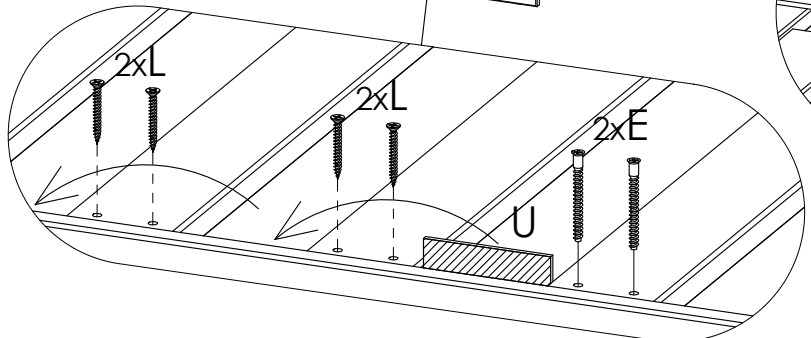
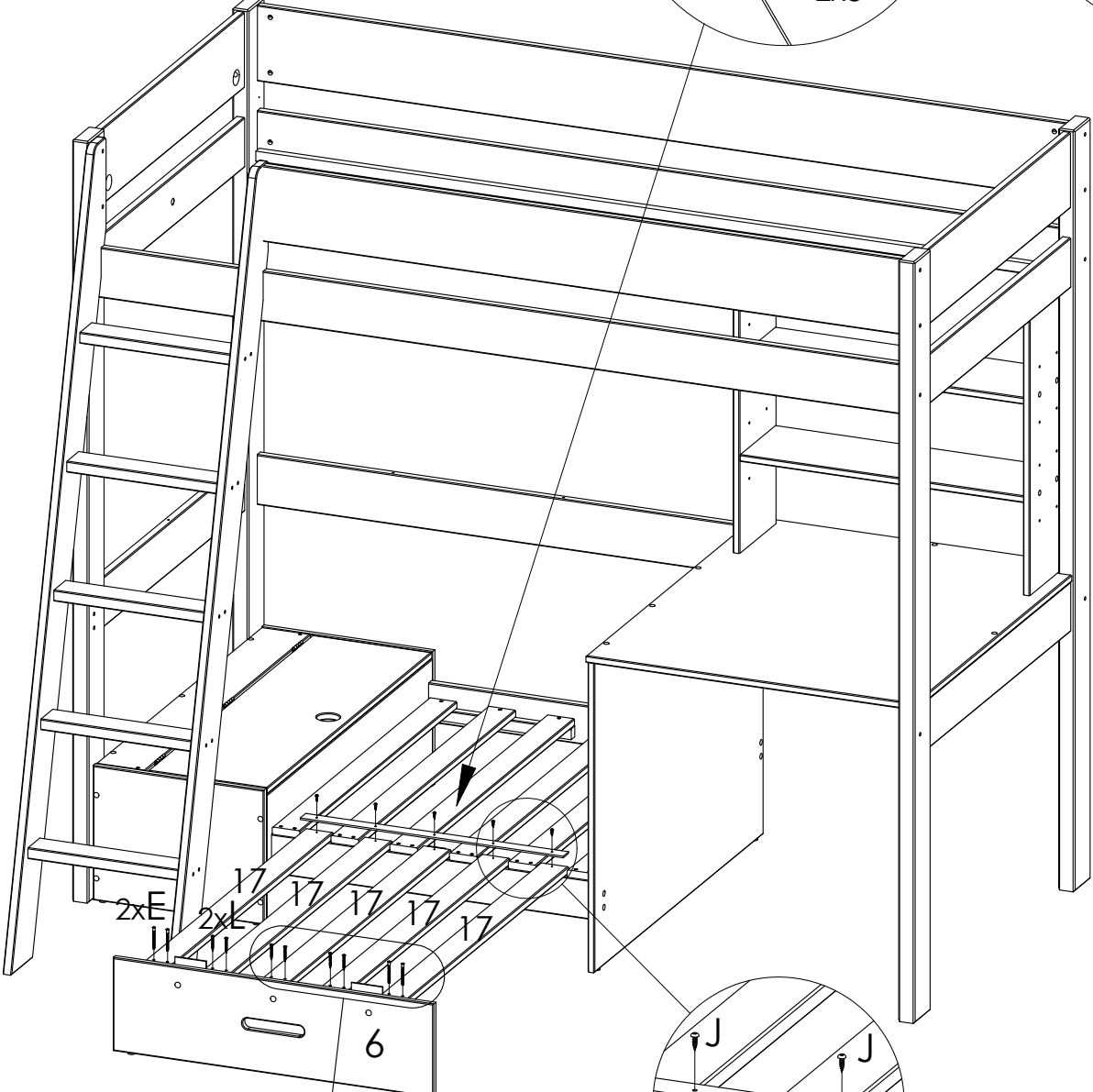
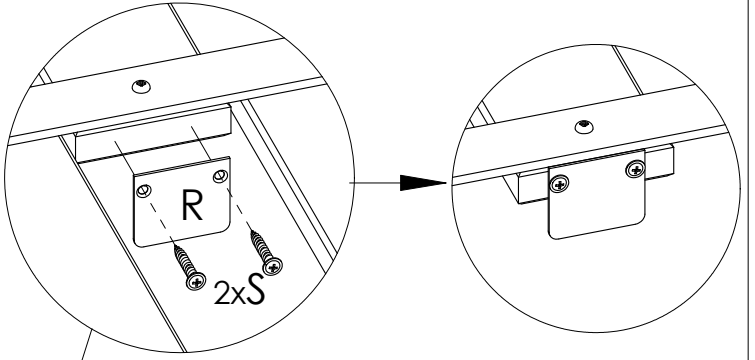
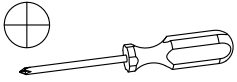
F		5x50	x8	P		D2,3x12	x8
---	--	------	----	---	--	---------	----

12



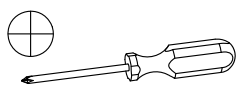
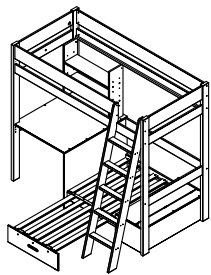
F		5x50	x4
M		4,2x35	x1

13

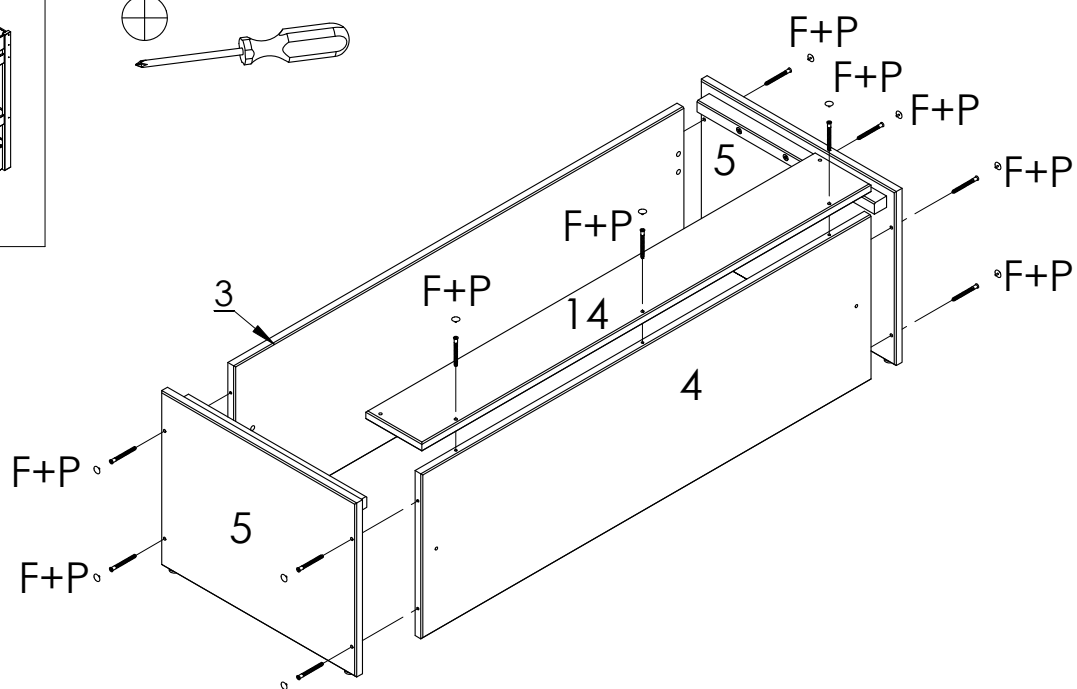


E		5x38	x4
L		3,5x35	x6
J		3,5x16	x5

U		73x30x3	
R		35x40	x1
S		4x25	x2

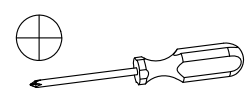
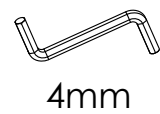
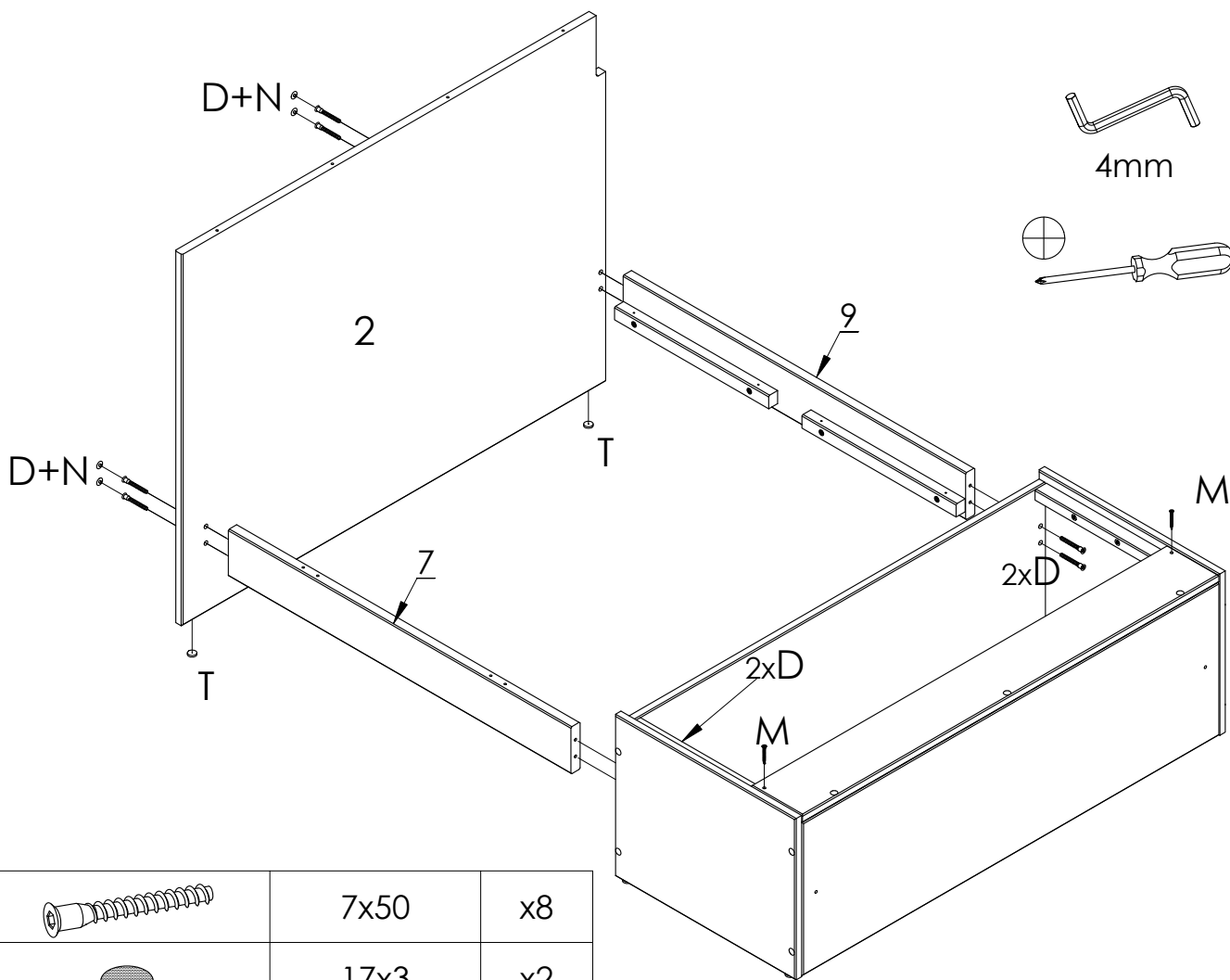


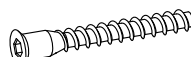

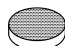

4



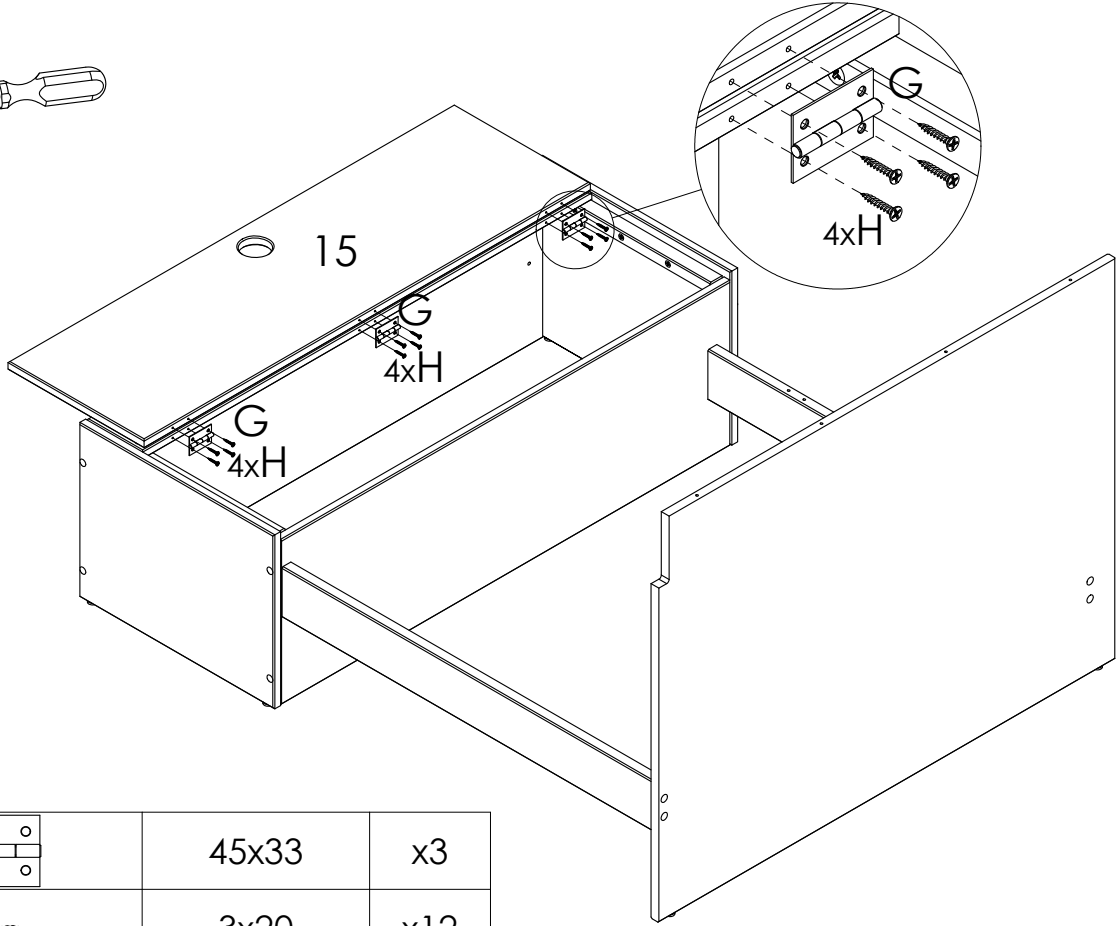
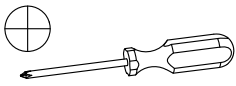
F		5x50	x11	P		D2,3x12	x11
---	---	------	-----	---	---	---------	-----

5



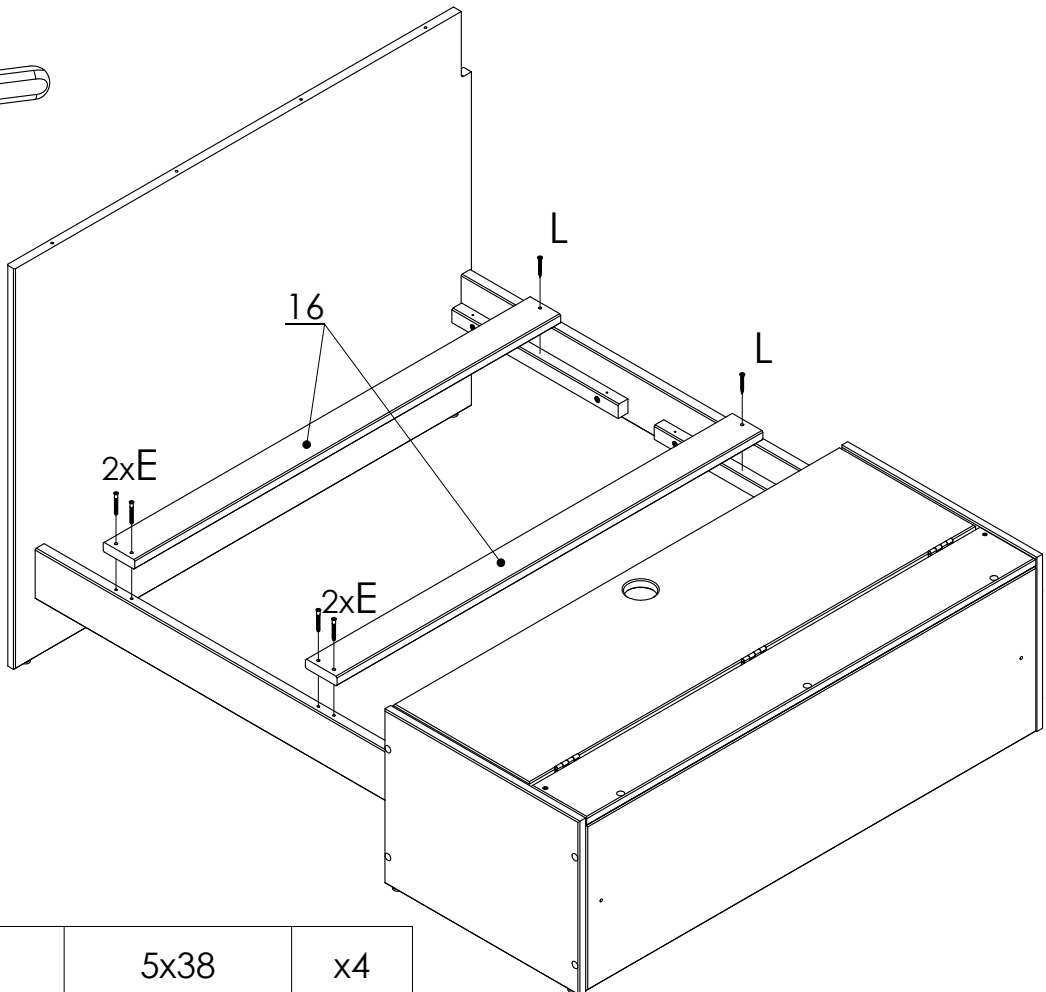
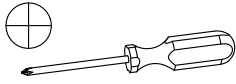
D		7x50	x8	N		D4x13	x4
T		17x3	x2				
M		4,2x35	x2				



6



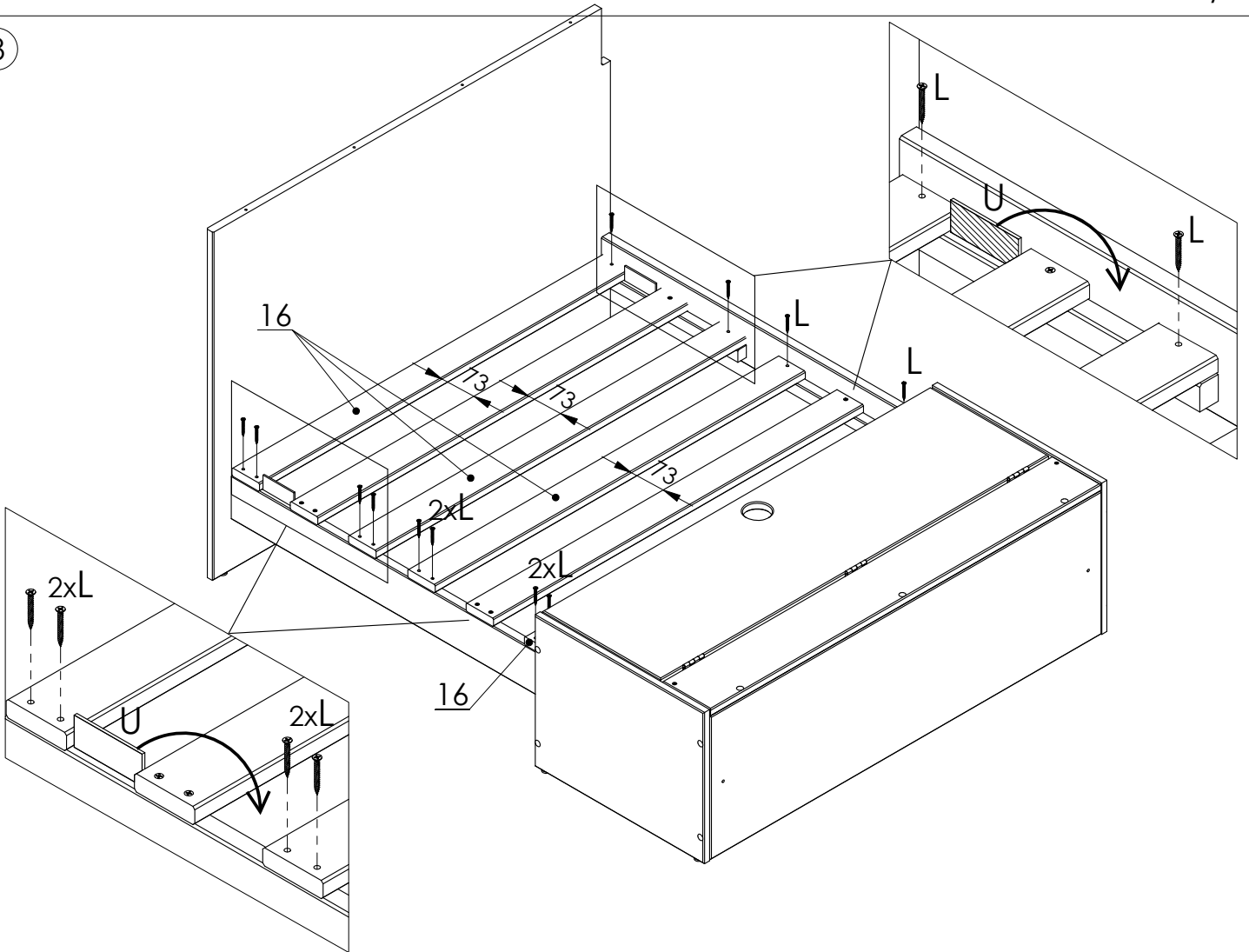
G		45x33	x3
H		3x20	x12

7



E		5x38	x4
L		3,5x35	x2

8



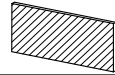
L



3,5x35

x12

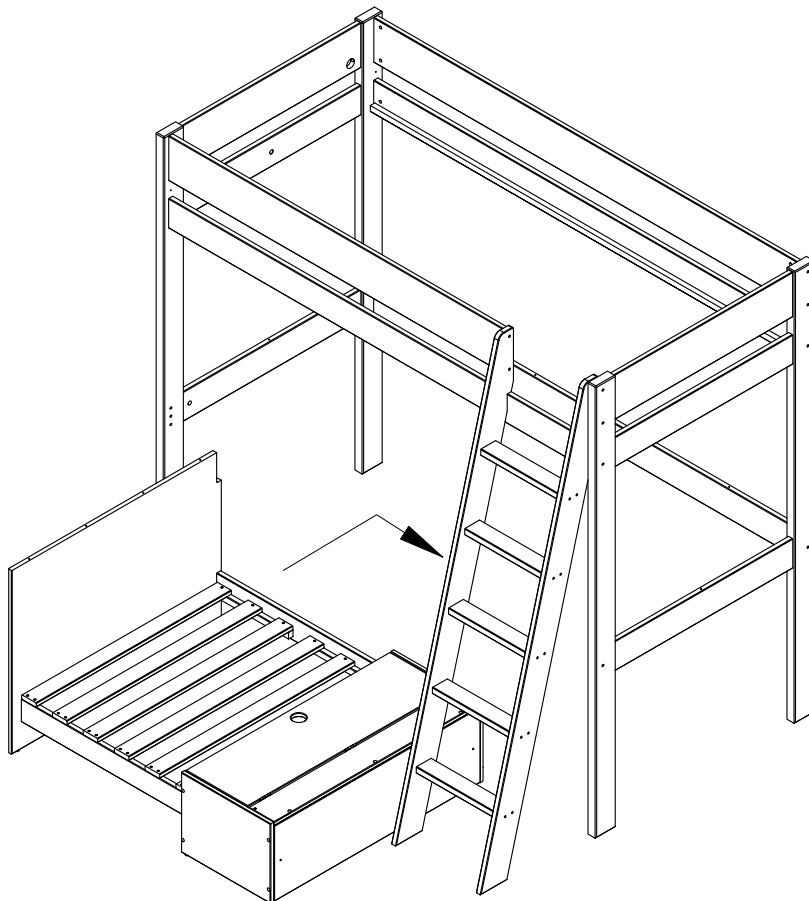
U



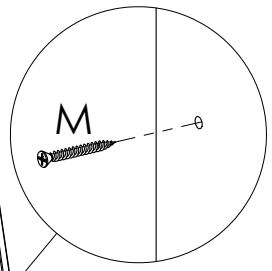
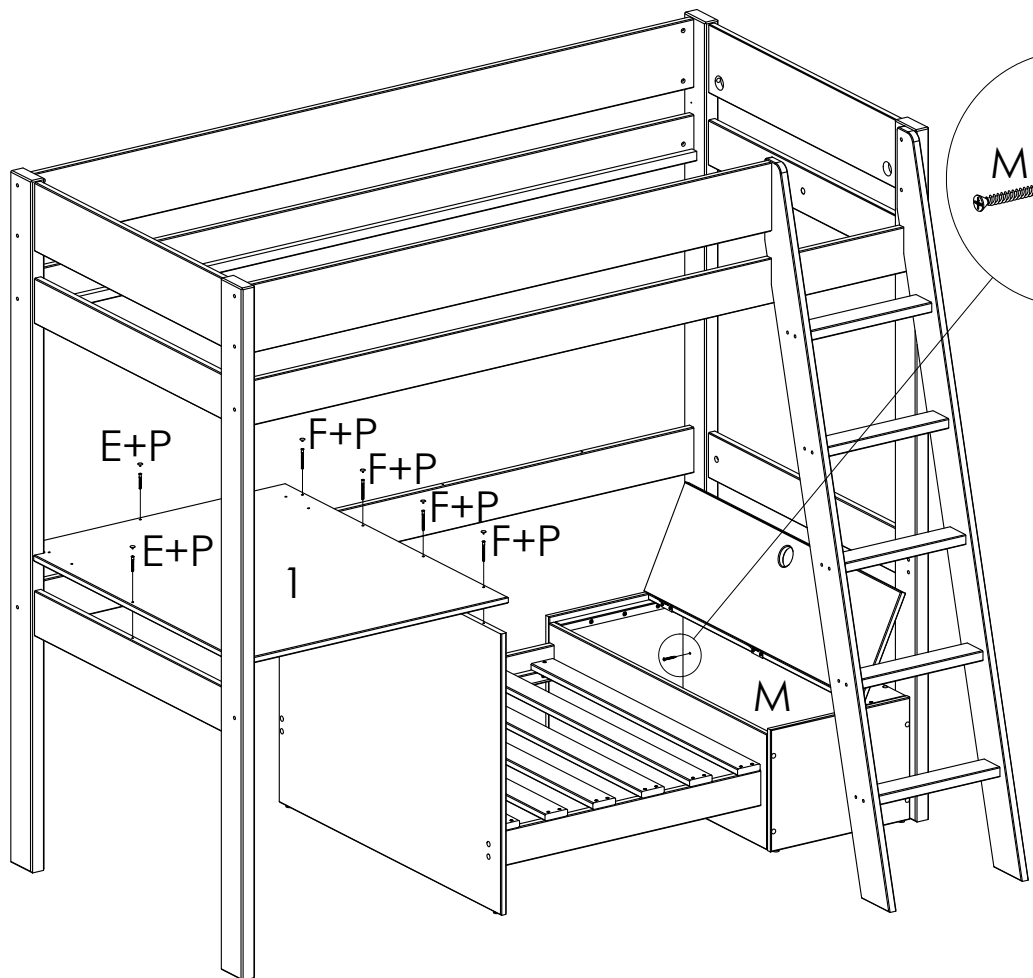
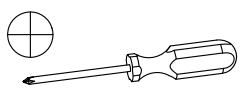
73x30x3

x2

9

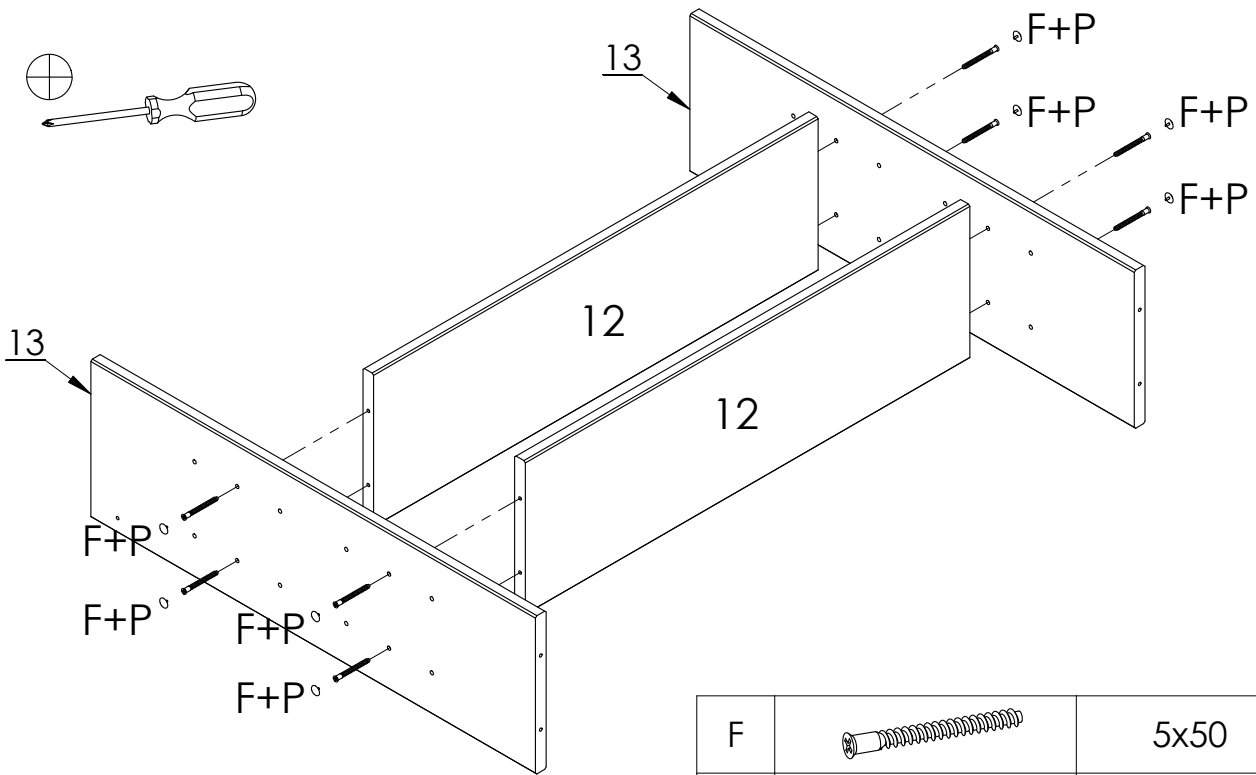
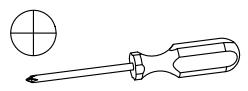


10



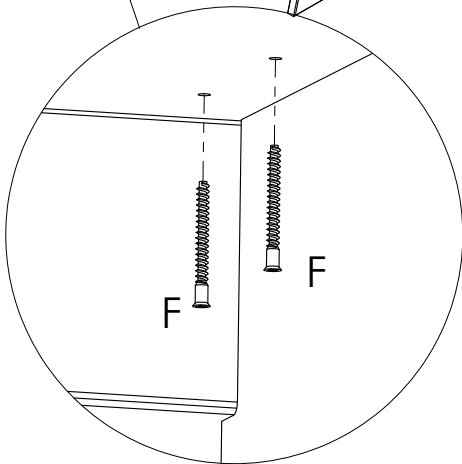
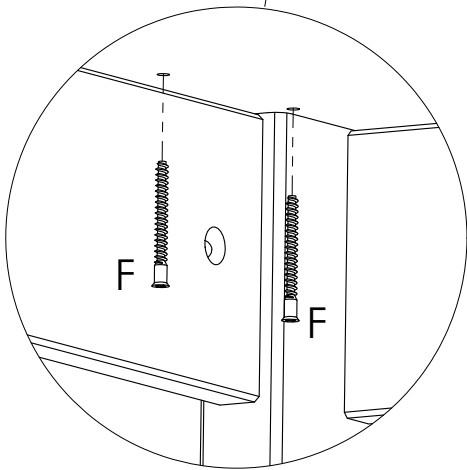
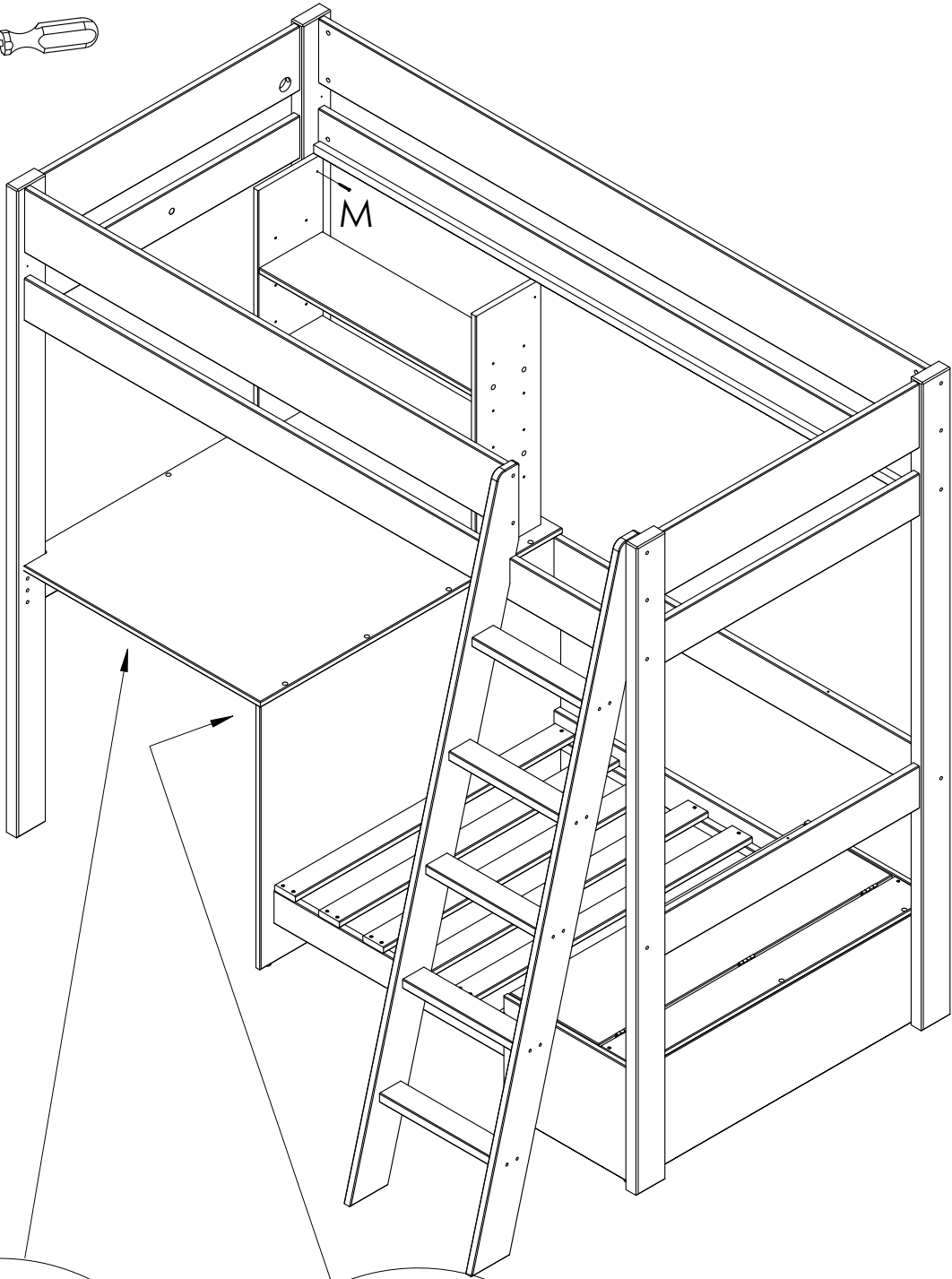
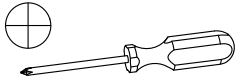
E		5x38	x2	P		D2,3x12	x6
F		5x50	x4	M		4,2x35	x2



11



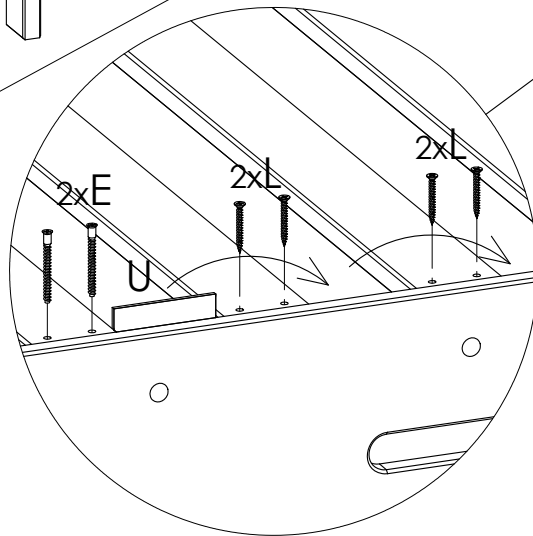
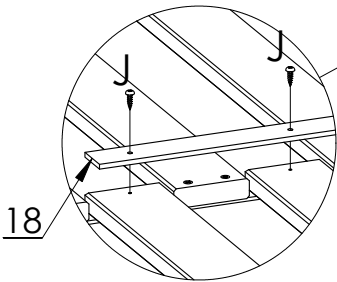
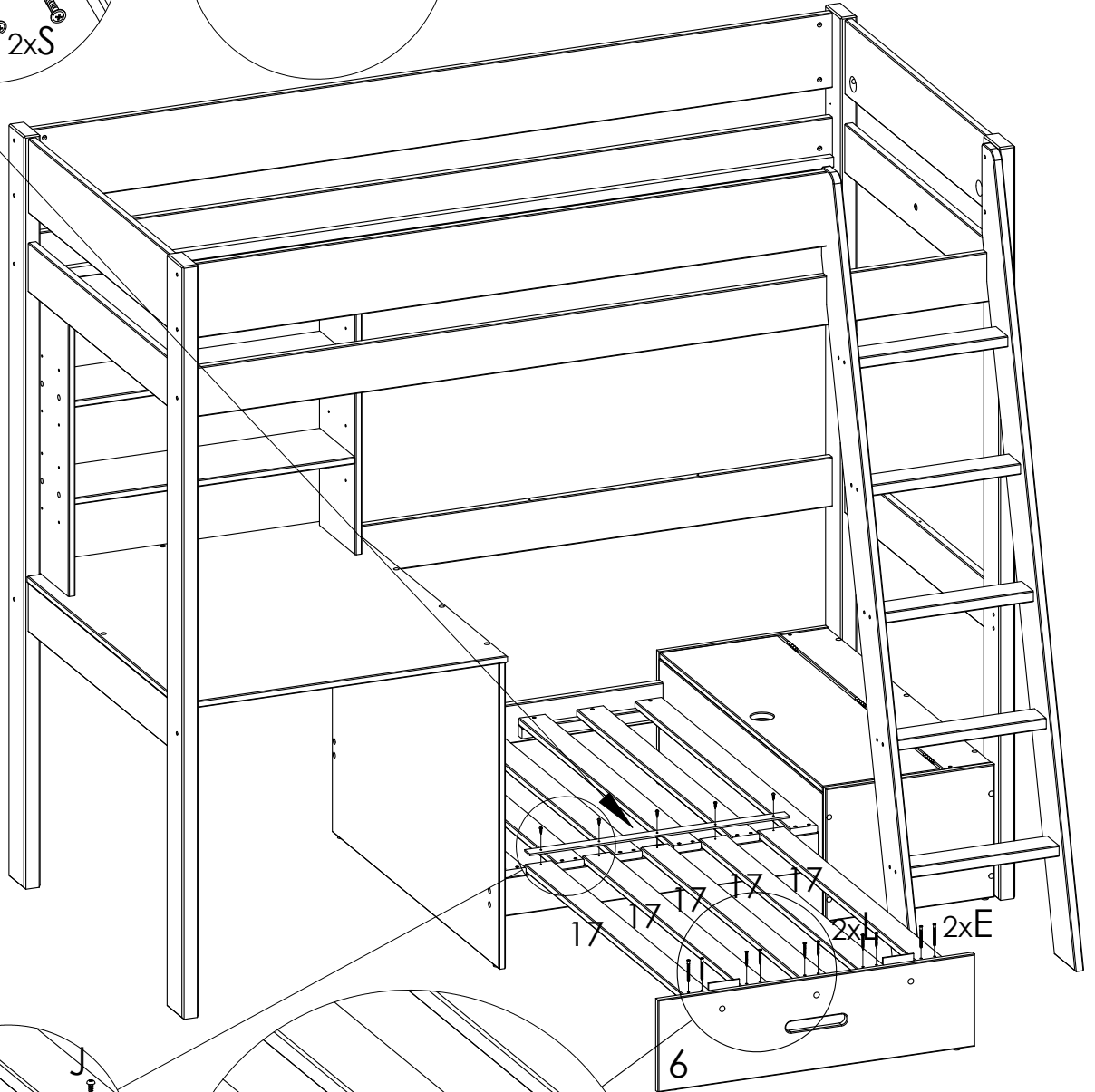
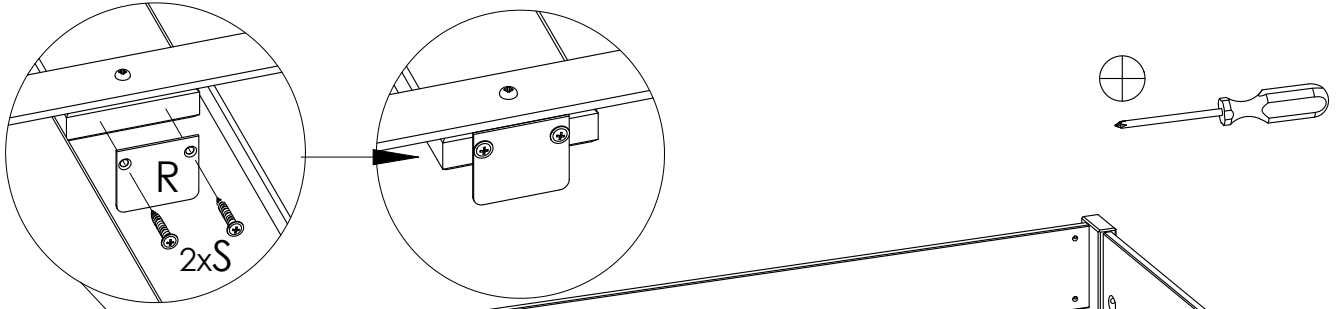
F		5x50	x8	P		D2,3x12	x8
---	--	------	----	---	--	---------	----



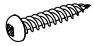
12

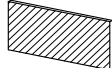
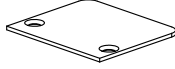
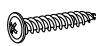


F		5x50	x4
M		4,2x35	x1

13



E		5x38	x4
L		3,5x35	x6
J		3,5x16	x5

U		73x30x3	
R		35x40	x1
S		4x25	x2